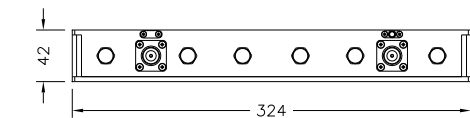
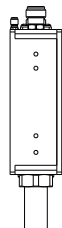
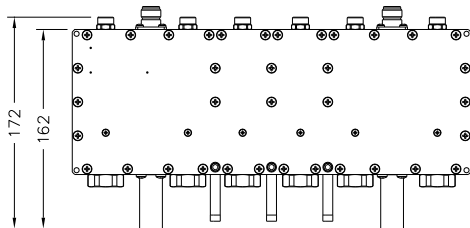
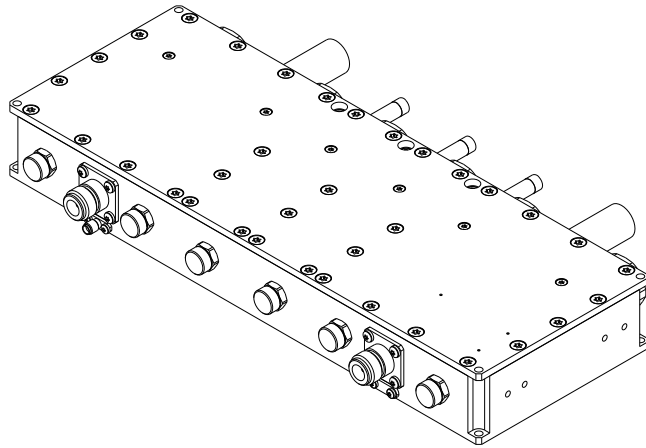


UHF 6-Pole 30 mm Bandpass Filter

CL6X30C



FEATURES

- *XLine*: Extracted-Pole
- Full-Band Tunability
- Temperature Stabilization
- DC-Short
- Output Monitor Probe ⁽¹⁵⁾
- Modular Connector System
- 10-Year Warranty

OPTIONS

- Rack-Shelf ⁽⁷⁾

SPECIFICATIONS

Code / Revision	A-CL6X30C / A
No. of Poles / Cavity Size	6-Pole <i>XLine</i> / 30 mm
Frequency Range / Bandwidth	470-800 MHz / 6-8 MHz
Temperature Stability	< 2 kHz/K
Max Operating Temperature (Body)	65 °C (149 °F)
Environmental Conditions	-5 to +55 °C (+23 to +131 °F), IP60
Dimensions / Weight ⁽¹⁾	324x42x172 mm / 2.5 kg
Output Monitor Probe ⁽¹⁵⁾	SMA Female
Connectors ⁽²⁾	2x 25 mm Input; Output D-PC25C N Female (Default) D-PC25E 7-16 Female
Options ⁽²⁾	O-KC1.01 1U Rack with Panel and Handles ⁽⁷⁾

TUNING DATA ⁽²⁾

	DVB-T2 / DVB-T		ATSC 3.0 / ATSC 1.0		ISDB-T	
Mask (Bandwidth)	Non Critical (8 MHz)		Simple, Stringent ⁽¹⁸⁾ (6 MHz)		Non Critical ⁽¹⁸⁾ (6 MHz)	
Tuning Code	T-6X.07 / T-6X.01		T-6X.04		T-6X.05	
Max RMS Input Power ⁽³⁾	Default	(700 MHz) 150 W	Default	(700 MHz) 130 W	Default	(700 MHz) 120 W
Efficiency (Typ.)	74%		69%		68%	
Insertion Loss		(470 MHz) (700 MHz)		(470 MHz) (700 MHz)		(470 MHz) (700 MHz)
	C.F.	< 1.03 dB < 1.03 dB	C.F.	< 1.31 dB < 1.31 dB	C.F.	< 1.36 dB < 1.36 dB
	±3.885 MHz	< 2.88 dB < 2.88 dB	±2.916 MHz	< 2.27 dB < 2.27 dB	±2.79 MHz	< 2.27 dB < 2.27 dB
	±3.805 MHz < 2.47 dB < 2.47 dB		±2.69 MHz < 1.75 dB < 1.75 dB			
Selectivity	C.F. ± 4.2 MHz > 5 dB		C.F. ± 3.5 MHz > 6 dB / > 10 dB		C.F. ± 3.15 MHz > 5 dB	
	C.F. ± 6.0 MHz > 18 dB		C.F. ± 6.0 MHz > 24 dB		C.F. ± 4.5 MHz > 18 dB	
	C.F. ± 12.0 MHz > 40 dB		C.F. ± 9.0 MHz > 36 dB		C.F. ± 9.0 MHz > 38 dB	
Harmonic Attenuation ⁽⁶⁾	> 50 dB up to 1.8 GHz		> 50 dB up to 1.8 GHz		> 50 dB up to 1.8 GHz	
Return Loss (VSWR)	> 23 dB (1.15) / > 25 dB (1.12)		> 25 dB (1.12)		> 25 dB (1.12)	
Group Delay Variation	< 240 ns / < 220 ns		< 220 ns / < 160 ns		< 280 ns	

⁽¹⁾ Approximate, default configuration ⁽²⁾ Other Connectors, Options, Tunings available ⁽³⁾ Altitude < 1500 m (4,900 ft.), Free air, Ambient temp. < 30 °C (86 °F)

⁽⁶⁾ Up to 3rd harmonic atten. with LP/LC Series Lowpass Filter ⁽⁷⁾ Reduced operating power ⁽¹⁵⁾ Monitor Probe available only with N Conn. ⁽¹⁸⁾ Can be achieved with a suitable TX spectrum