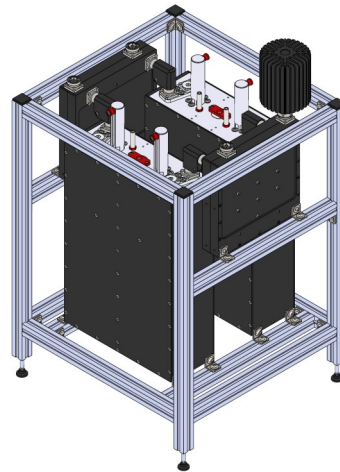


# FM 2-Pole 120 mm Balanced Combiner

## DB2P120RF

### FEATURES

- EVA-Mode Design
- 1.4 MHz Minimum Frequency Spacing
- Full-Band Tunability
- DC-Short
- Modular Connector System
- Modular Frame System
- 10-Year Warranty



### SPECIFICATIONS

Code / Revision	B-DB2P120RF/n / C <i>n: Number of Filtered Inputs</i>		
No. of Poles / Cavity Size	2-Pole / 120 mm		
Frequency Range	87.5-108 MHz		
Frequency Spacing	≥ 1.4 MHz		
Temperature Stability	< 1.0 kHz/K		
Max Operating Temperature (Body)	65°C (149°F)		
Environmental Conditions	-5 to +55°C (+23 to +131°F), IP60		
Dimensions / Weight <sup>(1)</sup>	n=1: 528x516x840 mm / 45 kg n≥2: 528x(516·n)x840 mm / 45·n kg		
Links	7/8" Rigid Line		
Connectors (NB Inputs) <sup>(2)</sup>	1x 32 mm D-PC32C N Female D-PC32E 7-16 Female (Default) D-PC32G 7/8" FastLine Socket D-PC32H 7/8" FastLine Flange D-PC32J 1+5/8" FastLine Socket D-PC32K 1+5/8" FastLine Flange		
Connectors (WB Input; Output) <sup>(2)</sup>	2x 32 mm D-PC32C N Female D-PC32E 7-16 Female (Default) D-PC32G 7/8" FastLine Socket D-PC32H 7/8" FastLine Flange D-PC32J 1+5/8" FastLine Socket D-PC32K 1+5/8" FastLine Flange		
<b>TUNING</b>	<b>3.0</b>	<b>2.6</b>	<b>2.0</b>
Minimum Frequency Spacing	2.2 MHz	1.8 MHz	1.4 MHz
Tuning Code	T-2F.10	T-2F.12	T-2F.14
Max RMS NB Input Power <sup>(3)</sup>	(108 MHz) Default 3.1 kW	(108 MHz) Default 2.7 kW	(108 MHz) Default 2.1 kW
Max RMS Output Power <sup>(3)</sup>	5.9 kW	5.9 kW	5.9 kW
NB Insertion Loss	87.5 MHz) (108 MHz) C.F. < 0.36 dB < 0.38 dB ±150 kHz < 0.37 dB < 0.39 dB + 0.06·n dB	(87.5 MHz) (108 MHz) C.F. < 0.41 dB < 0.43 dB ±150 kHz < 0.44 dB < 0.46 dB + 0.06·n dB	(87.5 MHz) (108 MHz) C.F. < 0.53 dB < 0.55 dB ±150 kHz < 0.59 dB < 0.62 dB + 0.06·n dB
WB Insertion Loss	< 0.06·n dB	< 0.06·n dB	< 0.06·n dB
Selectivity	C.F. ± 3.0 MHz > 26 dB	C.F. ± 2.6 MHz > 26 dB	C.F. ± 2.0 MHz > 26 dB
Harmonic Attenuation <sup>(6)</sup>	> 40 dB up to 324 MHz	> 40 dB up to 324 MHz	> 40 dB up to 324 MHz
NB Return Loss (VSWR)	> 26 dB (1.11)	> 26 dB (1.11)	> 26 dB (1.11)
WB Return Loss (VSWR)	Single Ch. > 30 dB (1.07) All band > 24 dB (1.14)	Single Ch. > 30 dB (1.07) All band > 24 dB (1.14)	Single Ch. > 30 dB (1.07) All band > 24 dB (1.14)
Isolation Between Inputs	> 35 dB	> 35 dB	> 35 dB
Group Delay Variation	< 30 ns	< 40 ns	< 80 ns

<sup>(1)</sup> Approximate, default configuration <sup>(2)</sup> Other Other Connectors, Options, Tunings available <sup>(3)</sup> Altitude < 1500 m (4.900 ft.), Free air, Ambient temp. < 30 °C (86 °F)

<sup>(6)</sup> Up to 3<sup>rd</sup> harmonic atten. with LP/LC Series Lowpass Filter