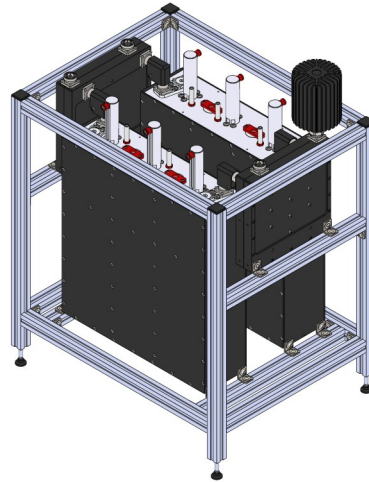


FM 3-Pole 120 mm Balanced Combiner

DB3P120RF

FEATURES

- EVA-Mode Design
- 0.8 MHz Minimum Frequency Spacing
- Full-Band Tunability
- DC-Short
- Modular Connector System
- Modular Frame System
- 10-Year Warranty



SPECIFICATIONS

Code / Revision	B-DB3P120RF/n / C <i>n: Number of Filtered Inputs</i>		
No. of Poles / Cavity Size	3-Pole / 120 mm		
Frequency Range	87.5-108 MHz		
Frequency Spacing	≥ 0.8 MHz		
Temperature Stability	< 1.0 kHz/K		
Max Operating Temperature (Body)	65°C (149°F)		
Environmental Conditions	-5 to +55°C (+23 to +131°F), IP60		
Dimensions / Weight ⁽¹⁾	n=1: 648x516x840 mm / 52 kg n≥2: 648x516·n)x840 mm / 52·n kg		
Links	7/8" Rigid Line		
Connectors (NB Inputs) ⁽²⁾	1x 32 mm D-PC32C N Female D-PC32E 7-16 Female (Default) D-PC32G 7/8" FastLine Socket D-PC32H 7/8" FastLine Flange D-PC32J 1+5/8" FastLine Socket D-PC32K 1+5/8" FastLine Flange		
Connectors (WB Input; Output) ⁽²⁾	2x 32 mm D-PC32C N Female D-PC32E 7-16 Female (Default) D-PC32G 7/8" FastLine Socket D-PC32H 7/8" FastLine Flange D-PC32J 1+5/8" FastLine Socket D-PC32K 1+5/8" FastLine Flange		
TUNING	2.0	1.5	1.0
Minimum Frequency Spacing	1.6 MHz	1.2 MHz	0.8 MHz
Tuning Code	T-3F.10	T-3F.12	T-3F.14
Max RMS NB Input Power ⁽³⁾	(108 MHz) Default 2.5 kW	(108 MHz) Default 2.0 kW	(108 MHz) Default 1.4 kW
Max RMS Output Power ⁽³⁾	5.9 kW	5.9 kW	5.9 kW
NB Insertion Loss	C.F. 87.5 MHz < 0.45 dB ±150 kHz < 0.48 dB + 0.06·n dB	(108 MHz) < 0.48 dB (87.5 MHz) < 0.60 dB ±150 kHz < 0.64 dB + 0.06·n dB	(108 MHz) < 0.63 dB (87.5 MHz) < 0.89 dB ±150 kHz < 0.98 dB + 0.06·n dB
WB Insertion Loss	< 0.06·n dB	< 0.06·n dB	< 0.06·n dB
Selectivity	C.F. ± 2.0 MHz > 27 dB	C.F. ± 1.5 MHz > 27 dB	C.F. ± 1.0 MHz > 27 dB
Harmonic Attenuation ⁽⁶⁾	> 40 dB up to 324 MHz	> 40 dB up to 324 MHz	> 40 dB up to 324 MHz
NB Return Loss (VSWR)	> 26 dB (1.11)	> 26 dB (1.11)	> 26 dB (1.11)
WB Return Loss (VSWR)	Single Ch. > 30 dB (1.07) All band > 24 dB (1.14)	Single Ch. > 30 dB (1.07) All band > 24 dB (1.14)	Single Ch. > 30 dB (1.07) All band > 24 dB (1.14)
Isolation Between Inputs	> 35 dB	> 35 dB	> 35 dB
Group Delay Variation	< 10 ns	< 30 ns	< 100 ns

⁽¹⁾ Approximate, default configuration ⁽²⁾ Other Other Connectors, Options, Tunings available ⁽³⁾ Altitude < 1500 m (4.900 ft.), Free air, Ambient temp. < 30 °C (86 °F)

⁽⁶⁾ Up to 3rd harmonic atten. with LP/LC Series Lowpass Filter