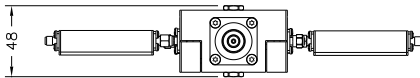
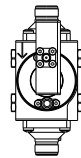
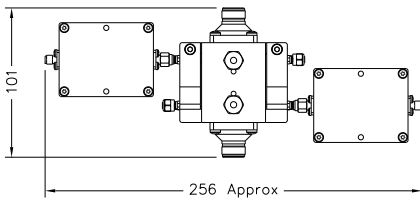
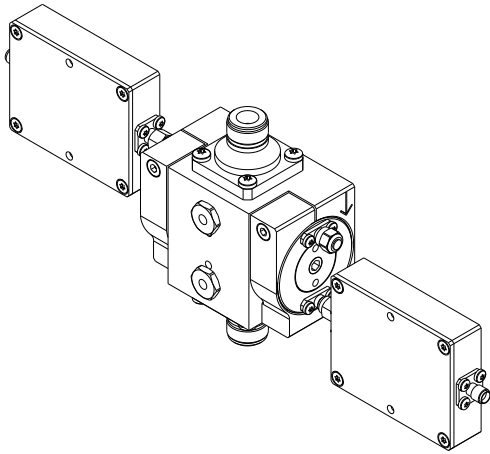


# 2-Probe 7/8" Measurement Directional Coupler

## DC2M23



### FEATURES

- 2 Probes
- 100 MHz to 2 GHz Equalized Response
- Interchangeable Connector System

### OPTIONS

- SMA or N Female RF Detectors

### SPECIFICATIONS

Code / Revision	C-DC2M23 / A	
Max RMS Output Power	100 MHz:	7.0 kW
	250 MHz:	4.0 kW
	500 MHz:	2.5 kW
	1.000 MHz:	600 W
	2.000 MHz:	160 W
No. of Probes	Up to 2	
Frequency Range	100 MHz to 2 GHz	
Coupling Value	-50 dB	
Coupling Flatness <sup>(1)</sup>	< 1.0 dB	
Return Loss / VSWR	> 30 dB / < 1.07	
Directivity	100 to 1000 MHz:	> 30 dB
	1000 to 2000 MHz:	> 26 dB
Max Operating Temperature (Body)	65°C (149°F)	
Environmental Conditions	-5 to +55°C (+23 to +131°F), IP60	
Dimensions / Weight <sup>(2)</sup>	48x101x256 mm / 0,8 kg (1,8 lb.)	
Connectors <sup>(3)</sup>	<b>2x 32 mm Series</b>	<b>Input; Output</b>
	D-PC32C	N Female
	D-PC32D	N Male
	D-PC32E	7-16 Female (Default)
	D-PC32F	7-16 Male
Options <sup>(3)</sup>	O-YRF.01	N Accuprobe RF Detector
	O-YRF.02	SMA Accuprobe RF Detector

<sup>(1)</sup> Maximum variation overall operating band <sup>(2)</sup> Default configuration

<sup>(3)</sup> Other Connectors/Options available