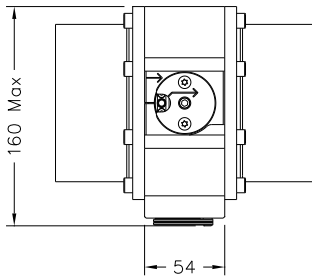
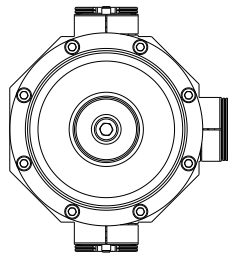
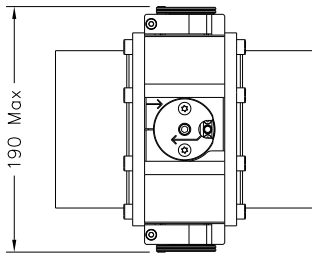
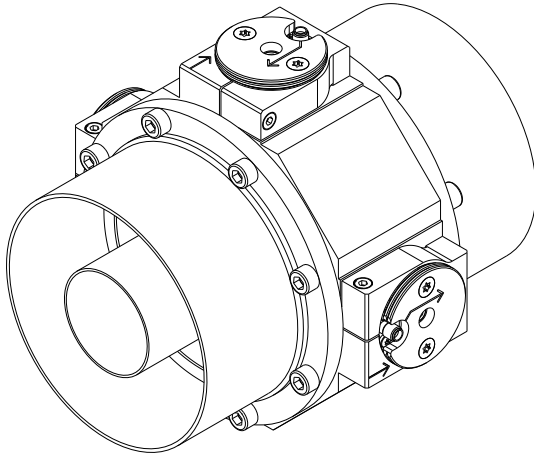


## 3-Slot 4+1/2" Directional Coupler



## FEATURES

- *Accuprobe*: Equalized-Response Probes
- Single *Accuprobe*: Integrated Load; Short-Circuit Button
- Dual *Accuprobe*: Simultaneous FWD and RFL Meas. <sup>(11)</sup>
- SMA or N Probe Connectors
- Modular Connector System
- 10-Year Warranty

## SPECIFICATIONS

Code / Revision	UHF	C-DC3A103/nC / A
	VHF B.III	C-DC3A103/nB / A
	VHF B.I	C-DC3A103/nA / A
	FM	C-DC3A103/nF / A
	<i>n</i> : Number of Probes	
Frequency Range	UHF	470-862 MHz
	VHF B.III	174-240 MHz
	VHF B.I	47-100 MHz
	FM	87.5-108 MHz
Max RMS Input Power <sup>(3)</sup>	UHF	37.0 kW (700 MHz)
	VHF B.III	65.0 kW (230 MHz)
	VHF B.I	105.0 kW (88 MHz)
	FM	95.0 kW (108 MHz)
Probe Connectors	SMA or N Female	
Reference Load	Single	2 W, Integrated
	Dual	None <sup>(11)</sup>
Max Measurement Level	32 dBm	
No. of Probes / Measures	Single	Up to 3 / Up to 3
	Dual <sup>(11)</sup>	Up to 3 / Up to 6
Coupling Ranges <sup>(10)</sup>	UHF	-51 to -71 dB
		-44 to -64 dB (High Coupling <sup>(9)</sup> )
	VHF B.III	-51 to -71 dB
		-59 to -79 dB (Low Coupling <sup>(9)</sup> )
	VHF B.I	-65 to -85 dB
	FM	-58 to -78 dB
In-Band Coupling Variation	(Nominal Coupling) ±0.2 dB	
Return Loss (VSWR)	> 34 dB (1.04)	
Directivity	Single	> 32 dB
	Dual <sup>(11)</sup>	> 26 dB
Max Operating Temperature (Body)	65 °C (149 °F)	
Environmental Conditions	-5 to +55 °C (+23 to +131 °F), IP60	
Dimensions / Weight <sup>(1)</sup>	54x160x190 mm / 2.4 kg	
Connectors <sup>(6)</sup>	<b>2x 130 mm Input; Output</b>	
	D-PC130P	4+1/2" <i>FastLine</i> Socket (Default)
	D-PC130Q	4+1/2" <i>FastLine</i> Flange
	D-PC130R	4+1/2" <i>FastLine</i> Plug
	D-PC130S	RL-120 <i>FastLine</i> Socket
	D-PC130X	RL-120 <i>FastLine</i> Flange

<sup>(1)</sup> Approximate, default configuration <sup>(3)</sup> Altitude < 1500 m (4,900 ft.), Free air, Ambient temp. < 30 °C (86 °F) <sup>(6)</sup> Other Connections available <sup>(9)</sup> Available on Single *Accuprobe* only

<sup>(10)</sup> Coupling Range Steps: 0.1 dB <sup>(11)</sup> Both measurement ports have the same coupling level, and both must be terminated, with RL≥27 dB.