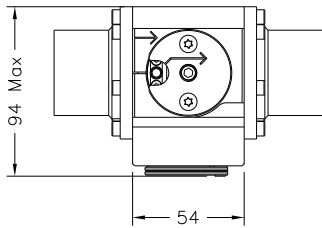
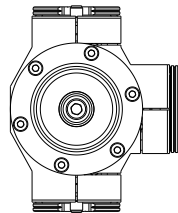
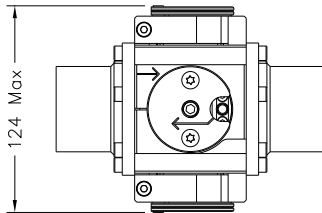
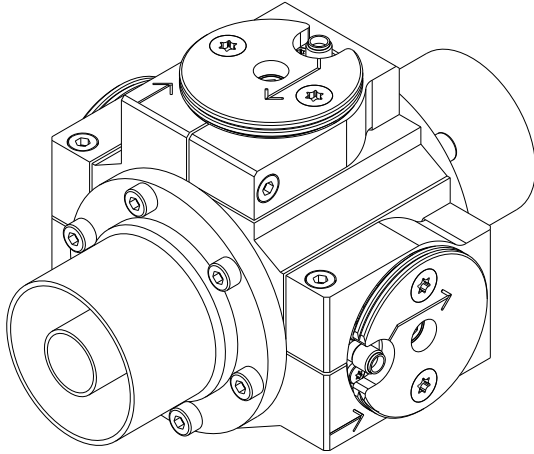


3-Slot 1+5/8" Directional Coupler



FEATURES

- *Accuprobe*: Equalized-Response Probes
- Single *Accuprobe*: Integrated Load; Short-Circuit Button
- Dual *Accuprobe*: Simultaneous FWD and RFL Meas. ⁽¹¹⁾
- SMA or N Probe Connectors
- Modular Connector System
- 10-Year Warranty

SPECIFICATIONS

| | | | |
|------------------------------------|-------------------------------------|---|---------------------------------|
| Code / Revision | UHF | C-DC3A39/nC | / A |
| | VHF B.III | C-DC3A39/nB | / A |
| | VHF B.I | C-DC3A39/nA | / A |
| | FM | C-DC3A39/nF | / A |
| | | <i>n</i> : Number of Probes | |
| Frequency Range | UHF | 470-862 MHz | |
| | VHF B.III | 174-240 MHz | |
| | VHF B.I | 47-100 MHz | |
| | FM | 87.5-108 MHz | |
| Max RMS Input Power ⁽³⁾ | UHF | 7.0 kW | (700 MHz) |
| | VHF B.III | 12.0 kW | (230 MHz) |
| | VHF B.I | 20.0 kW | (88 MHz) |
| | FM | 18.0 kW | (108 MHz) |
| Probe Connectors | SMA or N Female | | |
| Reference Load | Single | 2 W, Integrated | |
| | Dual | None ⁽¹¹⁾ | |
| Max Measurement Level | 32 dBm | | |
| No. of Probes / Measures | Single | Up to 3 / Up to 3 | |
| | Dual ⁽¹¹⁾ | Up to 3 / Up to 6 | |
| Coupling Ranges ⁽¹⁰⁾ | UHF | -41 to -61 dB | |
| | | -57 to -73 dB | (Low Coupling ⁽⁹⁾) |
| | | -33 to -53 dB | (High Coupling ⁽⁹⁾) |
| | VHF B.III | -41 to -61 dB | |
| | | -49 to -69 dB | (Low Coupling ⁽⁹⁾) |
| | VHF B.I | -55 to -75 dB | |
| | FM | -47 to -67 dB | |
| In-Band Coupling Variation | (Nominal Coupling) ±0.2 dB | | |
| Return Loss (VSWR) | > 34 dB (1.04) | | |
| Directivity | Single | > 32 dB | |
| | Dual ⁽¹¹⁾ | > 26 dB | |
| Max Operating Temperature (Body) | 65 °C (149 °F) | | |
| Environmental Conditions | -5 to +55 °C (+23 to +131 °F), IP60 | | |
| Dimensions / Weight ⁽¹⁾ | 54x94x124 mm / 0.9 kg | | |
| Connectors ⁽⁸⁾ | 2x 64 mm | Input; Output | |
| | D-PC64J | 1+5/8" <i>FastLine</i> Socket (Default) | |
| | D-PC64K | 1+5/8" <i>FastLine</i> Flange | |
| | D-PC64L | 1+5/8" <i>FastLine</i> Plug | |
| | D-PC64M | 3+1/8" <i>FastLine</i> Socket | |
| | D-PC64N | 3+1/8" <i>FastLine</i> Flange | |
| | D-PC64O | 3+1/8" <i>FastLine</i> Plug | |

⁽¹⁾ Approximate, default configuration ⁽³⁾ Altitude < 1500 m (4,900 ft.), Free air, Ambient temp. < 30 °C (86 °F) ⁽⁸⁾ Other Connections available ⁽⁹⁾ Available on Single *Accuprobe* only
⁽¹⁰⁾ Coupling Range Steps: 0.1 dB ⁽¹¹⁾ Both measurement ports have the same coupling level, and both must be terminated, with RL≥27 dB.