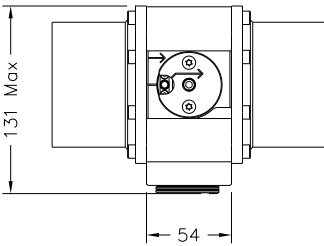
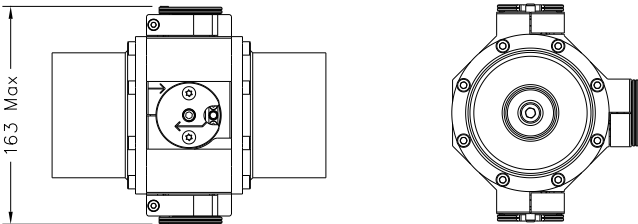
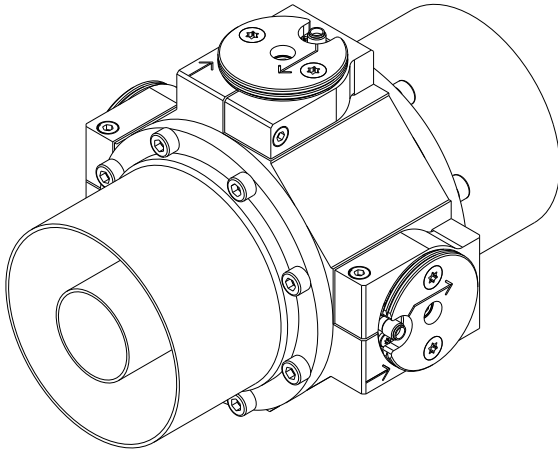


3-Slot 3+1/8" Directional Coupler



FEATURES

- *Accuprobe*: Equalized-Response Probes
- Single Accuprobe: Integrated Load; Short-Circuit Button
- Dual Accuprobe: Simultaneous FWD and RFL Meas. ⁽¹¹⁾
- SMA or N Probe Connectors
- Modular Connector System
- 10-Year Warranty

SPECIFICATIONS

Code / Revision	UHF	C-DC3A77/nC	/ A
	VHF B.III	C-DC3A77/nB	/ A
	VHF B.I	C-DC3A77/nA	/ A
	FM	C-DC3A77/nF	/ A
		<i>n</i> : Number of Probes	
Frequency Range	UHF	470-862 MHz	
	VHF B.III	174-240 MHz	
	VHF B.I	47-100 MHz	
	FM	87.5-108 MHz	
Max RMS Input Power ⁽³⁾	UHF	25.0 kW	(700 MHz)
	VHF B.III	44.0 kW	(230 MHz)
	VHF B.I	71.0 kW	(88 MHz)
	FM	65.0 kW	(108 MHz)
Probe Connectors	SMA or N Female		
Reference Load	Single	2 W, Integrated	
	Dual	None ⁽¹¹⁾	
Max Measurement Level	32 dBm		
No. of Probes / Measures	Single	Up to 3 / Up to 3	
	Dual ⁽¹¹⁾	Up to 3 / Up to 6	
Coupling Ranges ⁽¹⁰⁾	UHF	-47 to -68 dB	
		-63 to -77 dB	(Low Coupling ⁽⁹⁾)
		-40 to -60 dB	(High Coupling ⁽⁹⁾)
	VHF B.III	-47 to -67 dB	
		-55 to -75 dB	(Low Coupling ⁽⁹⁾)
	VHF B.I	-61 to -81 dB	
	FM	-54 to -74 dB	
In-Band Coupling Variation	(Nominal Coupling) ±0.2 dB		
Return Loss (VSWR)	> 34 dB (1.04)		
Directivity	Single	> 32 dB	
	Dual ⁽¹¹⁾	> 26 dB	
Max Operating Temperature (Body)	65 °C (149 °F)		
Environmental Conditions	-5 to +55 °C (+23 to +131 °F), IP60		
Dimensions / Weight ⁽¹⁾	54x131x163 mm / 1.6 kg		
Connectors ⁽⁸⁾	2x 100 mm	Input; Output	
	D-PC100M	3+1/8" <i>FastLine</i> Socket (Default)	
	D-PC100N	3+1/8" <i>FastLine</i> Flange	
	D-PC100O	3+1/8" <i>FastLine</i> Plug	
	D-PC100P	4+1/2" <i>FastLine</i> Socket	
	D-PC100Q	4+1/2" <i>FastLine</i> Flange	

⁽¹⁾ Approximate, default configuration ⁽³⁾ Altitude < 1500 m (4,900 ft.), Free air, Ambient temp. < 30 °C (86 °F) ⁽⁸⁾ Other Connections available ⁽⁹⁾ Available on Single Accuprobe only

⁽¹⁰⁾ Coupling Range Steps: 0.1 dB ⁽¹¹⁾ Both measurement ports have the same coupling level, and both must be terminated, with RL≥27 dB.