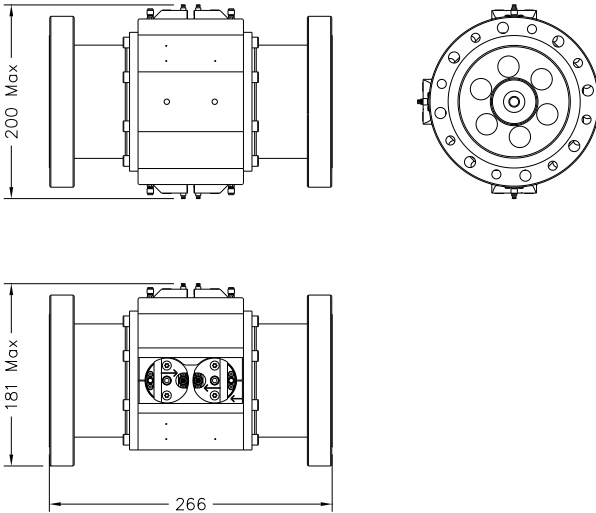
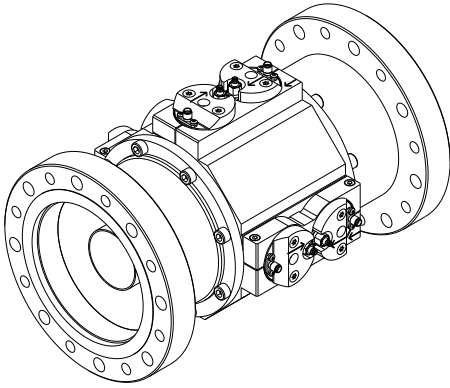


## 6-Slot 4+1/2" Directional Coupler

DC6A103



## FEATURES

- 6-Slot (Up to 6 Probes)
- *Accuprobe*: Equalized Response Probes
- SMA or N Female Probe Connectors
- Interchangeable Probes
- Interchangeable Connector System

## OPTIONS

- SMA or N Female RF Detectors

## SPECIFICATIONS

Code / Revision	C-DC6A103 / A
Frequency Range	100-800 MHz
Max RMS Output Power	100.0 kW @ 100 MHz 70.0 kW @ 200 MHz 50.0 kW @ 400 MHz 35.0 kW @ 800 MHz
No. of Probes	Up to 6
Coupling Range	-56 to -76 dB
Coupling Flatness <sup>(1)</sup>	±0.15 dB
Return Loss / VSWR	> 36 dB / < 1.03
Directivity	> 32 dB
Max Operating Temperature (Body)	65°C (149°F)
Environmental Conditions	-5 to +55°C (+23 to +131°F), IP60
Dimensions / Weight <sup>(2)</sup>	266x181x200 mm / 5.0 kg (11.0 lb.)
Connectors <sup>(3)</sup>	<b>2x 130 mm Series Input; Output</b> D-PC130Q 4+1/2" EIA FastLine Flange
Options <sup>(3)</sup>	O-YRF.01 N Accuprobe RF Detector O-YRF.02 SMA Accuprobe RF Detector

<sup>(1)</sup> Within *Accuprobe* range <sup>(2)</sup> Default configuration <sup>(3)</sup> Other Connectors/Options available