

FM 2-Pole 280 mm Balanced Combiner

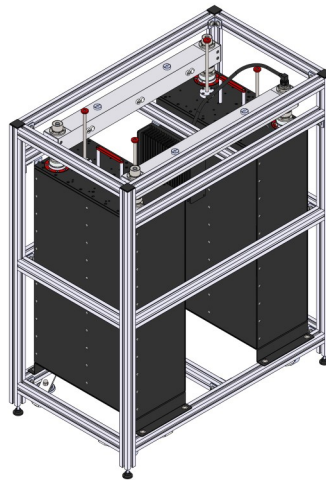
DF2P280RF

FEATURES

- Full-Band Tunability
- 1.4 MHz Minimum Frequency Spacing
- Temperature Stabilization
- DC-Short
- Modular Connector System
- Modular Frame System
- 10-Year Warranty

OPTIONS

- Heat Sinks



SPECIFICATIONS

Code / Revision	B-DF2P280RF/n / B <i>n: Number of Filtered Inputs</i>		
No. of Poles / Cavity Size	2-Pole / 280 mm		
Frequency Range	87.5-108 MHz		
Frequency Spacing	≥ 1.4 MHz		
Temperature Stability	< 400 Hz/K		
Max Operating Temperature (Body)	65°C (149°F)		
Environmental Conditions	-5 to +55°C (+23 to +131°F), IP60		
Dimensions / Weight ⁽¹⁾	n=1: 1151x660x1400 mm / 115 kg n≥2: 1151x(668·n)x1400 mm / 115·n kg		
Operating Position	As shown in drawing only		
Links	1+5/8" Rigid Line		
Connectors (NB Inputs) ⁽²⁾	1x 64 mm D-PC64J 1+5/8" FastLine Socket (Default) D-PC64K 1+5/8" FastLine Flange D-PC64M 3+1/8" FastLine Socket D-PC64N 3+1/8" FastLine Flange		
Connectors (WB Input; Output) ⁽²⁾	2x 64 mm D-PC64J 1+5/8" FastLine Socket (Default) D-PC64K 1+5/8" FastLine Flange D-PC64M 3+1/8" FastLine Socket D-PC64N 3+1/8" FastLine Flange		
Options ⁽²⁾	O-HCS.10 Heat Sinks O-MTS.01 70 °C (158 °F) N.C. Thermoswitch		
TUNING	3.0	2.6	2.0
Minimum Frequency Spacing	2.2 MHz	1.8 MHz	1.4 MHz
Tuning Code	T-2F.10	T-2F.12	T-2F.14
Max RMS NB Input Power ⁽³⁾	(108 MHz) Default 13.6 kW Heat Sinks 16.3 kW	(108 MHz) Default 12.0 kW Heat Sinks 14.4 kW	(108 MHz) Default 9.5 kW Heat Sinks 11.4 kW
Max RMS Output Power ⁽³⁾	18.0 kW	18.0 kW	18.0 kW
NB Insertion Loss	(87.5 MHz) (108 MHz) C.F. < 0.17 dB < 0.18 dB ±150 kHz < 0.17 dB < 0.19 dB + 0.05·n dB	(87.5 MHz) (108 MHz) C.F. < 0.19 dB < 0.21 dB ±150 kHz < 0.20 dB < 0.23 dB + 0.05·n dB	(87.5 MHz) (108 MHz) C.F. < 0.24 dB < 0.26 dB ±150 kHz < 0.28 dB < 0.31 dB + 0.05·n dB
WB Insertion Loss	< 0.06·n dB	< 0.06·n dB	< 0.06·n dB
Selectivity	C.F. ± 3.0 MHz > 26 dB	C.F. ± 2.6 MHz > 26 dB	C.F. ± 2.0 MHz > 26 dB
Harmonic Attenuation ⁽⁶⁾	> 40 dB up to 324 MHz	> 40 dB up to 324 MHz	> 40 dB up to 324 MHz
NB Return Loss (VSWR)	> 26 dB (1.11)	> 26 dB (1.11)	> 26 dB (1.11)
WB Return Loss (VSWR)	Single Ch. > 30 dB (1.07) All band > 24 dB (1.14)	Single Ch. > 30 dB (1.07) All band > 24 dB (1.14)	Single Ch. > 30 dB (1.07) All band > 24 dB (1.14)
Isolation Between Inputs	> 35 dB	> 35 dB	> 35 dB
Group Delay Variation	< 30 ns	< 40 ns	< 80 ns

⁽¹⁾ Approximate, default configuration ⁽²⁾ Other Other Connectors, Options, Tunings available ⁽³⁾ Altitude < 1500 m (4.900 ft.), Free air, Ambient temp. < 30 °C (86 °F)

⁽⁶⁾ Up to 3rd harmonic atten. with LP/LC Series Lowpass Filter