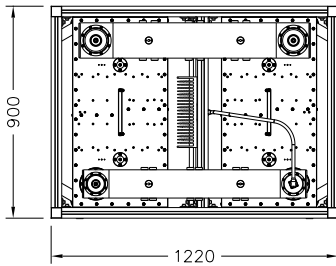
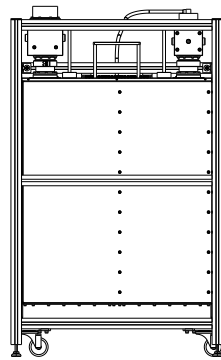
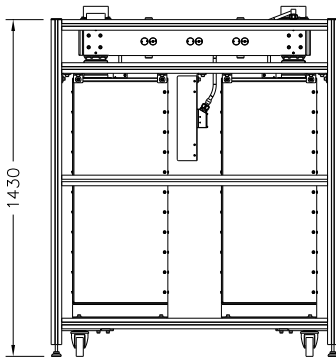
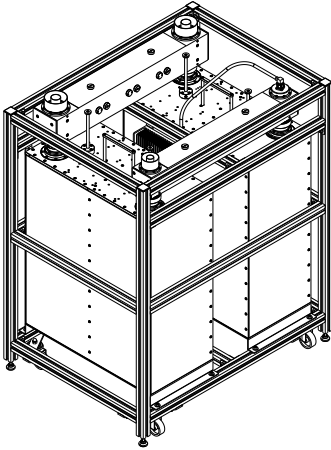


FM 2-Pole 560 mm Balanced Combiner

DF2P560F



FEATURES

- 1.4 MHz Minimum Channel Spacing
- Full-Band Tunability
- Temperature Stabilization
- DC-Short
- Modular Connector System
- Modular Frame System
- 10-Year Warranty

OPTIONS

- Heat Sinks
- Forced Air Cooling
- Liquid Cooling

SPECIFICATIONS

Code / Revision	B-DF2P560F/n / A <i>n: Number of Filtered Inputs</i>
No. of Poles / Cavity Size	2-Pole / 560 mm
Frequency Range	87.5-108 MHz
Frequency Spacing	≥ 1.4 MHz
Temperature Stability	< 400 Hz/K
Max Operating Temperature (Body)	65°C (149°F)
Environmental Conditions	-5 to +55°C (+23 to +131°F), IP60
Dimensions / Weight ⁽¹⁾	n=1: 1220x900x1430 mm / 182 kg n≥2: 1220x(908·n)x1430 mm / 182·n kg
Operating Position	As shown in drawing only
Links	1+5/8" Rigid Line
Connectors ⁽²⁾	1x 100 mm NB Input D-PC100M 3+1/8" <i>FastLine</i> Socket (Default) D-PC100N 3+1/8" <i>FastLine</i> Flange D-PC100P 4+1/2" <i>FastLine</i> Socket D-PC100Q 4+1/2" <i>FastLine</i> Flange 2x 130 mm WB Input; Output D-PC130P 4+1/2" <i>FastLine</i> Socket (Default) D-PC130Q 4+1/2" <i>FastLine</i> Flange D-PC130S RL-120 <i>FastLine</i> Socket D-PC130X RL-120 <i>FastLine</i> Flange
Options ⁽²⁾	O-HTC.13 Heat Sinks O-FTC.10 Forced Air Cooling O-LTC.13 Liquid Cooling O-MTS.01 70 °C (158 °F) N.C. Thermoswitch
Liquid Cooling Interface ⁽²⁾ / Coolant	3/8" NPT Male / Water and Antifreeze

TUNING DATA ⁽²⁾

	2.8	2.4	2.0
Frequency Spacing (Bandwidth)	2.8 MHz (2.8 MHz)	2.4 MHz (2.4 MHz)	2.0 MHz (2.0 MHz)
Tuning Code	T-2F.01	T-2F.03	T-2F.02
Max RMS NB Input Power ⁽³⁾	(108 MHz) Default 56.9 kW Heat Sinks 68.3 kW Forced Air Cooling 85.4 kW Liquid Cooling ⁽⁵⁾ 85.4 kW	(108 MHz) Default 47.0 kW Heat Sinks 56.4 kW Forced Air Cooling 70.5 kW Liquid Cooling ⁽⁵⁾ 70.5 kW	(108 MHz) Default 38.1 kW Heat Sinks 45.8 kW Forced Air Cooling 57.2 kW Liquid Cooling ⁽⁵⁾ 57.2 kW
Max RMS Output Power ⁽³⁾	189.0 kW	189.0 kW	189.0 kW
NB Insertion Loss	(87.5 MHz) (108 MHz) C.F. < 0.08 dB < 0.08 dB ±150 kHz < 0.08 dB < 0.09 dB + 0.05·n dB	(87.5 MHz) (108 MHz) C.F. < 0.09 dB < 0.10 dB ±150 kHz < 0.10 dB < 0.11 dB + 0.05·n dB	(87.5 MHz) (108 MHz) C.F. < 0.12 dB < 0.12 dB ±150 kHz < 0.13 dB < 0.13 dB + 0.05·n dB
WB Insertion Loss	< 0.06·n dB	< 0.06·n dB	< 0.06·n dB
Selectivity	C.F. ± 2.8 MHz > 26 dB	C.F. ± 2.8 MHz > 26 dB	C.F. ± 2.0 MHz > 26 dB
Harmonic Attenuation	> 40 dB up to 324 MHz	> 40 dB up to 324 MHz	> 40 dB up to 324 MHz
NB Return Loss (VSWR)	> 26 dB (1.11)	> 26 dB (1.11)	> 26 dB (1.11)
WB Return Loss (VSWR)	Single Ch. > 30 dB (1.07) All band > 24 dB (1.14)	Single Ch. > 30 dB (1.07) All band > 24 dB (1.14)	Single Ch. > 30 dB (1.07) All band > 24 dB (1.14)
Isolation Between Inputs	> 35 dB	> 35 dB	> 35 dB
Group Delay Variation	< 40 ns	< 60 ns	< 80 ns

⁽¹⁾ Approximate, default configuration ⁽²⁾ Other Connectors, Options, Tunings available ⁽³⁾ Altitude < 1500 m (4.900 ft.), Free air, Ambient temp. < 30 °C (86 °F)

⁽⁵⁾ Glycol 30%, Liquid temp. 45 °C (113 °F), Liquid flow 6 l/min (1.6 gal/min)