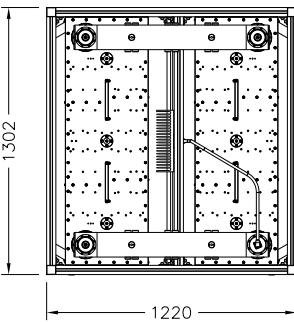
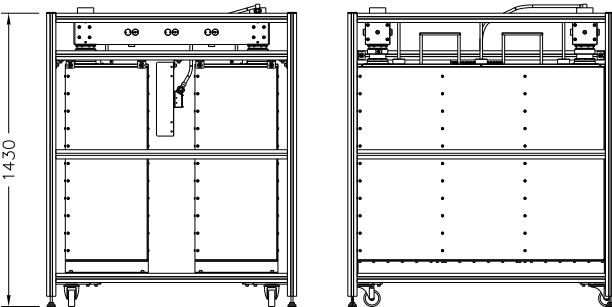
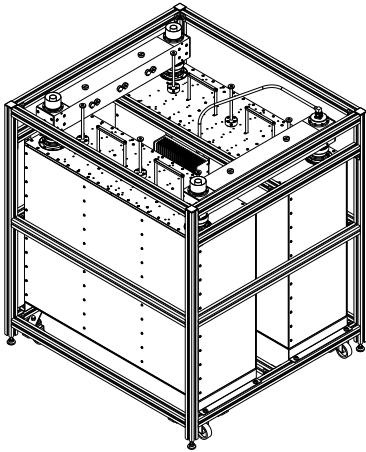


# FM 3-Pole 400 mm Balanced Combiner

## DF3P400RF



### FEATURES

- 0.8 MHz Minimum Channel Spacing
- Full-Band Tunability
- Temperature Stabilization
- DC-Short
- Modular Connector System
- Modular Frame System
- 10-Year Warranty

### OPTIONS

- Heat Sinks

### SPECIFICATIONS

Code / Revision	B-DF3P400RF/n / A <i>n: Number of Filtered Inputs</i>
No. of Poles / Cavity Size	3-Pole / 400 mm
Frequency Range	87.5-108 MHz
Frequency Spacing	≥ 0.8 MHz
Temperature Stability	< 400 Hz/K
Max Operating Temperature (Body)	65°C (149°F)
Environmental Conditions	-5 to +55°C (+23 to +131°F), IP60
Dimensions / Weight <sup>(1)</sup>	n=1: 1220x1302x1430 mm / 226 kg n≥2: 1220x(1310·n)x1430 mm / 226·n kg
Operating Position	As shown in drawing only
Links	1+5/8" Rigid Line
Connectors <sup>(2)</sup>	<b>3x 100 mm NB Input; WB Input; Output</b> D-PC100M 3+1/8" FastLine Socket (Default) D-PC100N 3+1/8" FastLine Flange D-PC100P 4+1/2" FastLine Socket D-PC100Q 4+1/2" FastLine Flange
Options <sup>(2)</sup>	O-HTC.14 Heat Sinks O-MTS.01 70 °C (158 °F) N.C. Thermoswitch

### TUNING DATA <sup>(2)</sup>

	2.0		1.4		1.0	
Frequency Spacing (Bandwidth)	1.6 MHz (2.0 MHz)		1.2 MHz (1.4 MHz)		0.8 MHz (1.0 MHz)	
Tuning Code	T-3F.01		T-3F.04		T-3F.05	
Max RMS NB Input Power <sup>(3)</sup>		(108 MHz)		(108 MHz)		(108 MHz)
	Default	27.2 kW	Default	19.2 kW	Default	13.8 kW
	Heat Sinks	32.6 kW	Heat Sinks	23.0 kW	Heat Sinks	16.6 kW
Max RMS Output Power <sup>(3)</sup>	65.0 kW		65.0 kW		65.0 kW	
NB Insertion Loss	(87.5 MHz)	(108 MHz)	(87.5 MHz)	(108 MHz)	(87.5 MHz)	(108 MHz)
	C.F.	< 0.14 dB	< 0.16 dB	C.F.	< 0.20 dB	< 0.22 dB
	±150 kHz	< 0.15 dB	< 0.16 Db	±150 kHz	< 0.22 dB	< 0.24 dB
		+ 0.01·(n+1) dB		+ 0.01·(n+1) dB		+ 0.01·(n+1) dB
WB Insertion Loss	< 0.06·n dB		< 0.06·n dB		< 0.06·n dB	
Selectivity	C.F. ± 2.0 MHz	> 27 dB	C.F. ± 1.6 MHz	> 27 dB	C.F. ± 1.2 MHz	> 27 dB
Harmonic Attenuation	> 40 dB up to 324 MHz		> 40 dB up to 324 MHz		> 40 dB up to 324 MHz	
NB Return Loss (VSWR)	> 26 dB (1.11)		> 26 dB (1.11)		> 26 dB (1.11)	
WB Return Loss (VSWR)	Single Ch.	> 30 dB (1.07)	Single Ch.	> 30 dB (1.07)	Single Ch.	> 30 dB (1.07)
	All band	> 24 dB (1.14)	All band	> 24 dB (1.14)	All band	> 24 dB (1.14)
Isolation Between Inputs	> 35 dB		> 35 dB		> 35 dB	
Group Delay Variation	< 10 ns		< 30 ns		< 100 ns	

<sup>(1)</sup> Approximate, default configuration <sup>(2)</sup> Other Connectors, Options, Tunings available <sup>(3)</sup> Altitude < 1500 m (4,900 ft.), Free air, Ambient temp. < 30 °C (86 °F)