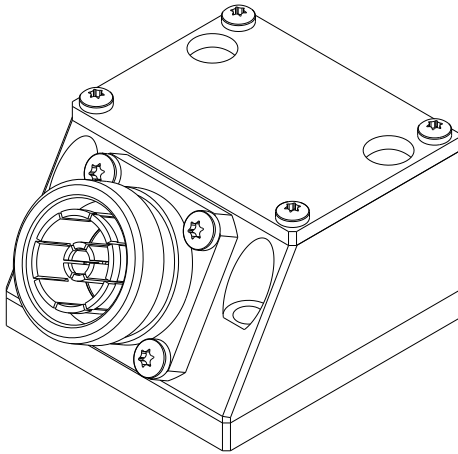


400 W Dry Load (For Integration)

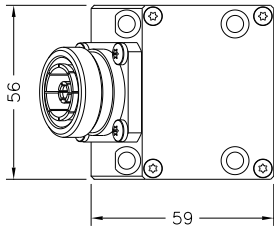
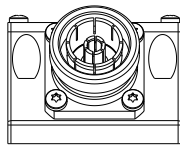
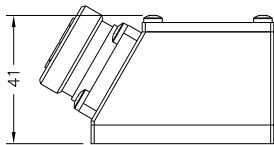


FEATURES

- For Integration
- *Beo*-Free
- 10-Year Warranty

OPTIONS

- Output Monitor Probe



SPECIFICATIONS

Code / Revision	C-DL40C / A
Max RMS Input Power ⁽¹³⁾	400 W (700 MHz)
Max Peak Input Voltage ⁽¹³⁾	2.4 kV
Frequency Range	DC-862 MHz
Return Loss (VSWR)	> 28 dB (1.08)
Max Operating Temperature (Body)	100 °C (212 °F)
Environmental Conditions	-5 to +55 °C (+23 to +131 °F), IP60
Dimensions / Weight ⁽¹⁾	59x56x41 mm / 0.5 kg (1.1 lb.)
Connectors ⁽⁶⁾	1x 32 mm Input D-PC32E 7-16 Female (Default) D-PC32F 7-16 Male D-PC32H 7/8" EIA Flange
Options	O-XMP.01 SMA Monitor Probe O-XMP.02 SMB Monitor Probe

⁽¹⁾ Default configuration ⁽⁶⁾ Other Connectors available

⁽¹³⁾ Altitude < 1500 m (4,900 ft.), Body temperature < 100 °C (212 °F)

