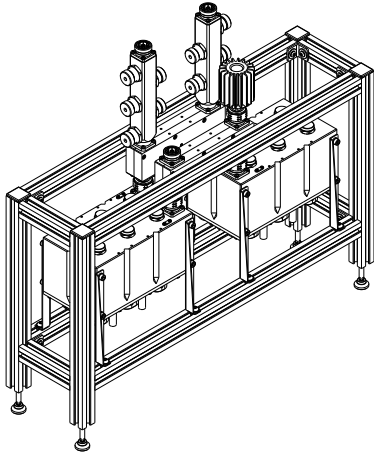


UHF 6-Pole 60 mm Balanced Combiner

DM6D60RC



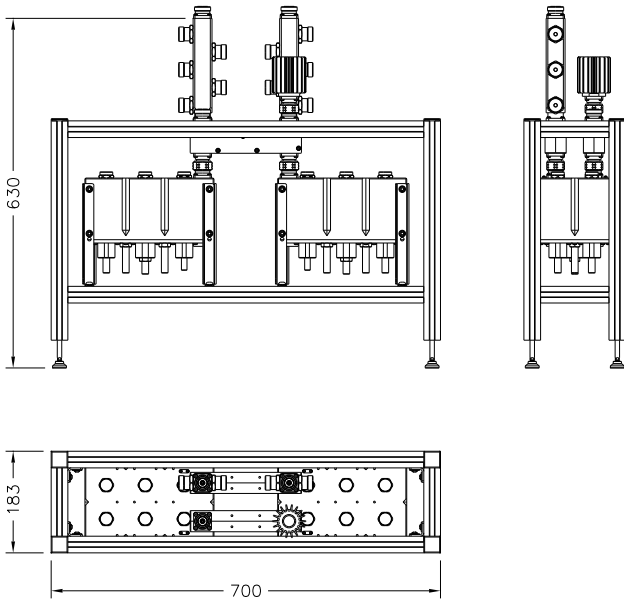
FEATURES

- *DualCross*: Double Cross-Coupling
- Adjacent-Channel Combination
- Full-Band Tunability
- Temperature Stabilization
- DC-Short
- Modular Connector System
- Modular Frame System
- 10-Year Warranty



OPTIONS

- Heat Sinks



SPECIFICATIONS

Code / Revision	B-DM6D60RC/n / B <i>n: Number of Filtered Inputs</i>
No. of Poles / Cavity Size	6-Pole <i>DualCross</i> / 60 mm
Frequency Range / Bandwidth	470-862 MHz / 6-8 MHz
Temperature Stability	< 2 kHz/K
Max Operating Temperature (Body)	65°C (149°F)
Environmental Conditions	-5 to +55°C (+23 to +131°F), IP60
Dimensions / Weight ⁽¹⁾	n=1: 700x183x630 mm / 21 kg n≥2: 700x(183·n)x630 mm / 21·n kg
Links	7/8" Rigid Line
Connectors ⁽²⁾	3x 32 mm NB Input; WB Input; Output D-PC32C N Female D-PC32E 7-16 Female (Default) D-PC32G 7/8" <i>FastLine</i> Socket D-PC32H 7/8" <i>FastLine</i> Flange D-PC32J 1+5/8" <i>FastLine</i> Socket D-PC32K 1+5/8" <i>FastLine</i> Flange
Options ⁽²⁾	O-HFC.01 Heat Sinks

TUNING DATA ⁽²⁾	DVB-T2 / DVB T		ATSC 3.0 / ATSC 1.0		ISDB-T	
Mask (Bandwidth)	Non Critical (8 MHz)		Full Service (6 MHz)		Non Critical, Sub Critical ⁽¹⁸⁾ (6 MHz)	
Tuning Code	T-6D.13 / T-6D.01		T-6D.16 / T-6D.05		T-6D.14	
Max RMS NB Input Power ^(3,4)		(700 MHz)		(700 MHz)		(700 MHz)
	Default	750 W	Default	650 W	Default	590 W
	Heat Sinks	830 W	Heat Sinks	710 W	Heat Sinks	660 W
Max RMS Output Power ⁽³⁾	2.7 kW		2.7 kW		2.7 kW	
NB Insertion Loss ⁽⁴⁾		(470 MHz) (700 MHz)		(470 MHz) (700 MHz)		(470 MHz) (700 MHz)
	C.F.	< 0.56 dB < 0.58 dB	C.F.	< 0.74 dB < 0.77 dB	C.F.	< 0.77 dB < 0.80 dB
	±3.885 MHz	< 1.96 dB < 2.03 dB	±2.916 MHz	< 1.29 dB < 1.34 dB	±2.79 MHz	< 1.74 dB < 1.80 dB
	±3.805 MHz	< 1.62 dB < 1.68 dB	±2.69 MHz	< 1.01 dB < 1.05 dB		
		+ 0.06·n dB		+ 0.06·n dB		+ 0.06·n dB
WB Insertion Loss ⁽⁴⁾	< 0.06·n dB		< 0.06·n dB		< 0.06·n dB	
Selectivity	C.F. ± 4.2 MHz	> 4 dB	C.F. ± 3.5 MHz	> 6 dB / > 10 dB	C.F. ± 3.15 MHz	> 7 dB
	C.F. ± 6.0 MHz	> 20 dB	C.F. ± 6.0 MHz	> 29 dB	C.F. ± 4.5 MHz	> 22 dB
	C.F. ± 12.0 MHz	> 41 dB	C.F. ± 9.0 MHz	> 63 dB	C.F. ± 9.0 MHz	> 47 dB
Harmonic Attenuation ⁽⁶⁾	> 50 dB up to 1.2 GHz		> 50 dB up to 1.2 GHz		> 50 dB up to 1.2 GHz	
NB Return Loss (VSWR) ⁽⁴⁾	> 26 dB (1.11)		> 26 dB (1.11)		> 26 dB (1.11)	
WB Return Loss (VSWR) ⁽⁴⁾	Single Ch.	> 30 dB (1.07)	Single Ch.	> 30 dB (1.07)	Single Ch.	> 30 dB (1.07)
	All band	> 26 dB (1.11)	All band	> 26 dB (1.11)	All band	> 26 dB (1.11)
Isolation Between Inputs ⁽⁴⁾	> 30 dB		> 30 dB		> 30 dB	
Group Delay Variation ⁽⁴⁾	< 360 ns / < 330 ns		< 320 ns / < 240 ns		< 360 ns	

⁽¹⁾ Approximate, default configuration ⁽²⁾ Other Connectors, Options, Tunings available ⁽³⁾ Altitude < 1500 m (4,900 ft.), Free air, Ambient temp. < 30 °C (86 °F) ⁽⁴⁾ Non-adjacent channels ⁽⁶⁾ Up to 3rd harmonic atten. with LP/LC Series Lowpass Filter ⁽¹⁸⁾ Can be achieved with a suitable TX spectrum