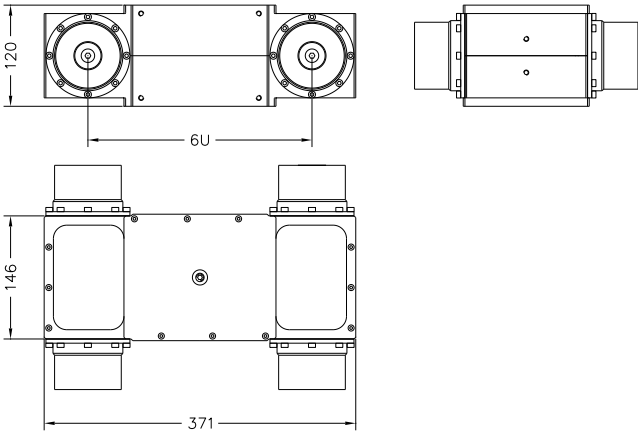
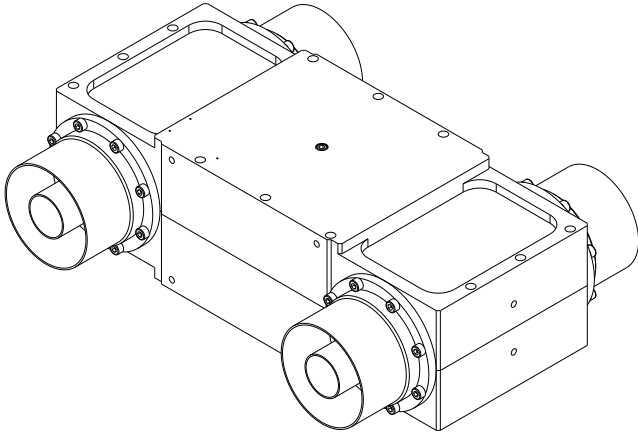


# UHF Hybrid Coupler



## FEATURES

- Crossed Configuration
- Rack-Unit Connector Spacing
- Modular Connector System
- 10-Year Warranty

## SPECIFICATIONS

Code / Revision	C-HC100C / A
Frequency Range	470-862 MHz
Max RMS Output Power <sup>(3)</sup>	25.0 kW (700 MHz)
Connector Spacing (Center-to-Center)	6U
Return Loss (VSWR)	> 30 dB (1.07)
Isolation	> 30 dB
Amplitude Response	-3.05 ±0.30 dB
Phase Response	(0°, -90°) ±1°
Max Operating Temperature (Body)	65 °C (149 °F)
Environmental Conditions	-5 to +55 °C (+23 to +131 °F), IP60
Dimensions / Weight <sup>(1)</sup>	371x146x120 mm / 10.5 kg

Connectors <sup>(8)</sup>	2x 100 mm Inputs
D-PC100M	3+1/8" <i>FastLine</i> Socket (Default)
D-PC100N	3+1/8" <i>FastLine</i> Flange
D-PC100O	3+1/8" <i>FastLine</i> Plug
D-PC100P	4+1/2" <i>FastLine</i> Socket
D-PC100Q	4+1/2" <i>FastLine</i> Flange
1x 100 mm Load	
D-PC100M	3+1/8" <i>FastLine</i> Socket (Default)
D-PC100N	3+1/8" <i>FastLine</i> Flange
D-PC100P	4+1/2" <i>FastLine</i> Socket
D-PC100Q	4+1/2" <i>FastLine</i> Flange
1x 100 mm Output	
D-PC100M	3+1/8" <i>FastLine</i> Socket (Default)
D-PC100N	3+1/8" <i>FastLine</i> Flange
D-PC100P	4+1/2" <i>FastLine</i> Socket
D-PC100Q	4+1/2" <i>FastLine</i> Flange

<sup>(1)</sup> Approximate, default configuration <sup>(3)</sup> Altitude < 1500 m (4,900 ft.), Free air, Ambient temp. <30 °C (86 °F) <sup>(8)</sup> Other Connections available