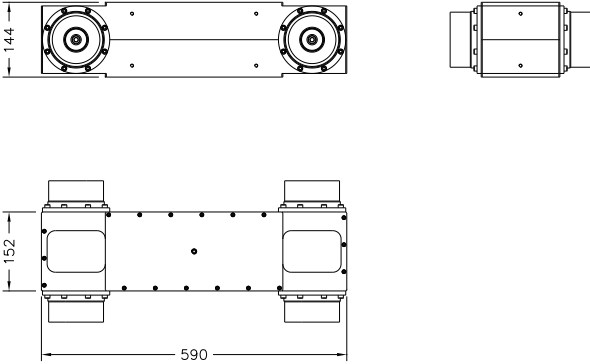
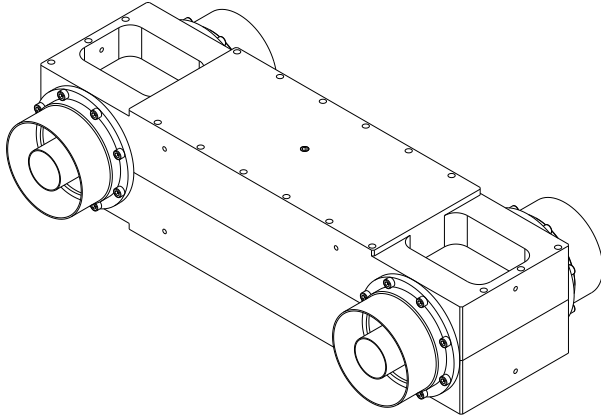


Hybrid Coupler



FEATURES

- Crossed Configuration
- Interchangeable Connector System

SPECIFICATIONS

Code / Revision	C-HC150B / A
Frequency Range	160-250 MHz
Max RMS Output Power	110.0 kW @ 160 MHz 85.0 kW @ 250 MHz
Return Loss / VSWR	> 30 dB / < 1.07
Isolation	> 30 dB
Amplitude Response	3.03 ±0.15 dB
Phase Response	0° / -90° (±1°)
Max Operating Temperature (Body)	65°C (149°F)
Environmental Conditions	-5 to +55°C (+23 to +131°F), IP60
Dimensions / Weight ⁽¹⁾	590x152x144 mm / 15 kg (33 lb.)
Interchangeable Connector System	4x 130 mm
Connectors ⁽²⁾	4x 130 mm Inputs (2x); Outputs (2x)
	D-PC130M 3+1/8" FastLine Socket
	D-PC130N 3+1/8" EIA FastLine Flange
	D-PC130O 3+1/8" FastLine Plug
	D-PC130P 4+1/2" FastLine Socket (Default)
	D-PC130Q 4+1/2" EIA FastLine Flange
	D-PC130R 4+1/2" FastLine Plug
	D-PC130S RL-120 FastLine Socket
	D-PC130X RL-120 FastLine Flange

⁽¹⁾ Default configuration ⁽²⁾ Other Connectors available

