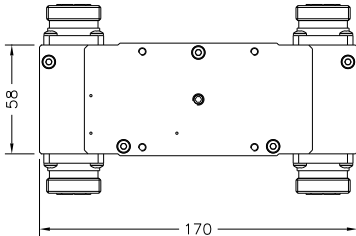
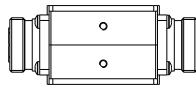
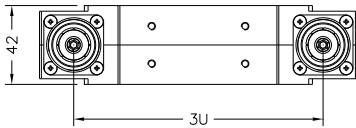
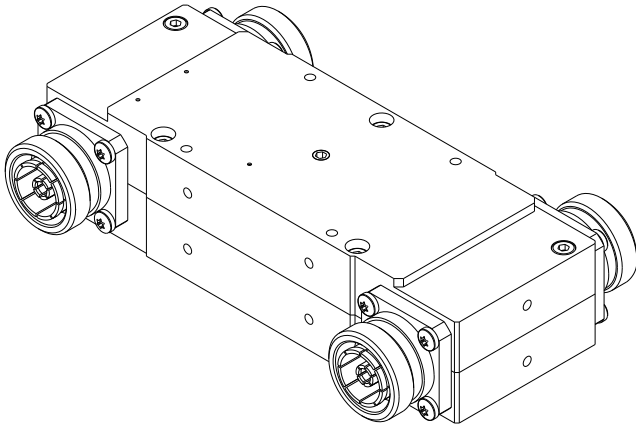


UHF Hybrid Coupler



FEATURES

- Crossed Configuration
- Rack-Unit Connector Spacing
- Modular Connector System
- 10-Year Warranty

SPECIFICATIONS

Code / Revision	C-HC40C / A
Frequency Range	470-862 MHz
Max RMS Output Power ⁽³⁾	4.3 kW (700 MHz)
Connector Spacing (Center-to-Center)	3U
Return Loss (VSWR)	> 30 dB (1.07)
Isolation	> 30 dB
Amplitude Response	-3.05 ±0.30 dB
Phase Response	(0°, -90°) ±1°
Max Operating Temperature (Body)	65 °C (149 °F)
Environmental Conditions	-5 to +55 °C (+23 to +131 °F), IP60
Dimensions / Weight ⁽¹⁾	170x58x42 mm / 1 kg

Connectors ⁽⁸⁾**2x 32 mm Inputs**

D-PC32C	N Female
D-PC32D	N Male
D-PC32E	7-16 Female (Default)
D-PC32F	7-16 Male
D-PC32G	7/8" <i>FastLine</i> Socket
D-PC32H	7/8" <i>FastLine</i> Flange
D-PC32I	7/8" <i>FastLine</i> Plug
D-PC32IO	7/8" <i>FastLine</i> Quick Plug
D-PC32J	1+5/8" <i>FastLine</i> Socket
D-PC32K	1+5/8" <i>FastLine</i> Flange
D-PC32L	1+5/8" <i>FastLine</i> Plug

1x 32 mm Load

D-PC32C	N Female
D-PC32E	7-16 Female (Default)
D-PC32G	7/8" <i>FastLine</i> Socket
D-PC32H	7/8" <i>FastLine</i> Flange
D-PC32J	1+5/8" <i>FastLine</i> Socket
D-PC32K	1+5/8" <i>FastLine</i> Flange

1x 32 mm Output

D-PC32C	N Female
D-PC32E	7-16 Female (Default)
D-PC32G	7/8" <i>FastLine</i> Socket
D-PC32H	7/8" <i>FastLine</i> Flange
D-PC32J	1+5/8" <i>FastLine</i> Socket
D-PC32K	1+5/8" <i>FastLine</i> Flange

⁽¹⁾ Approximate, default configuration ⁽³⁾ Altitude < 1500 m (4,900 ft.), Free air, Ambient temp. <30 °C (86 °F) ⁽⁸⁾ Other Connections available