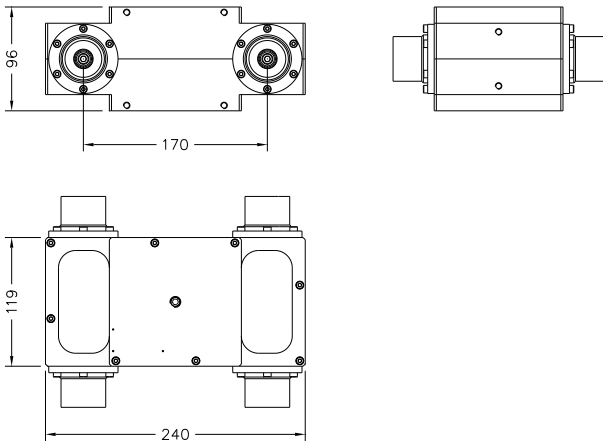
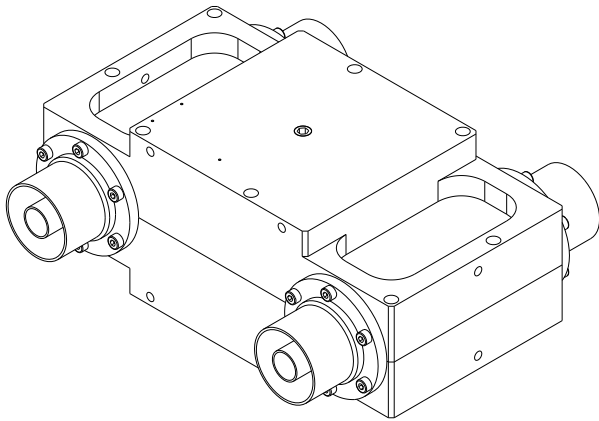


Hybrid Coupler



FEATURES

- Crossed Configuration
- Interchangeable Connector System

SPECIFICATIONS

Code / Revision	C-HC80C / A
Frequency Range	450-800 MHz
Max RMS Output Power	20.0 kW @ 450 MHz 15.0 kW @ 800 MHz
Connector Spacing (Center-to-Center)	-
Return Loss / VSWR	> 30 dB / < 1.07
Isolation	> 30 dB
Amplitude Response	3.05 ± 0.30 dB
Phase Response	0° / -90° (±1°)
Max Operating Temperature (Body)	65°C (149°F)
Environmental Conditions	-5 to +55°C (+23 to +131°F), IP60
Dimensions / Weight ⁽¹⁾	240x119x96 mm / 3.5 kg (7.7 lb.)
Connectors ⁽²⁾	4x 64 mm Inputs (2x); Outputs (2x) D-PC64J 1+5/8" FastLine Socket (Default) D-PC64K 1+5/8" EIA FastLine Flange D-PC64L 1+5/8" FastLine Plug D-PC64M 3+1/8" FastLine Socket D-PC64N 3+1/8" EIA FastLine Flange

⁽¹⁾ Default configuration ⁽²⁾ Other Connectors available

