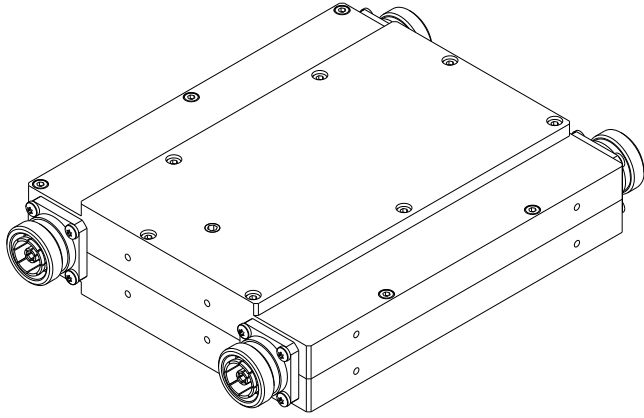
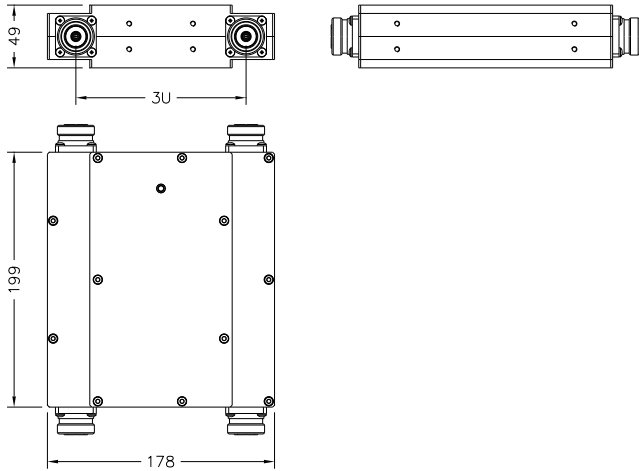


VHF B.III Hybrid Coupler



FEATURES

- Crossed Configuration
- Rack-Unit Connector Spacing
- Modular Connector System
- 10-Year Warranty



SPECIFICATIONS

Code / Revision	C-HF40B / A
Frequency Range	174-240 MHz
Max RMS Output Power ⁽³⁾	7.4 kW (230 MHz)
Connector Spacing (Center-to-Center)	3U
Return Loss (VSWR)	> 30 dB (1.07)
Isolation	> 30 dB
Amplitude Response	-3.03 ±0.15 dB
Phase Response	(0°, -90°) ±1°
Max Operating Temperature (Body)	65 °C (149 °F)
Environmental Conditions	-5 to +55 °C (+23 to +131 °F), IP60
Dimensions / Weight ⁽¹⁾	178x199x49 mm / 2.6 kg

Connectors ⁽⁸⁾

2x 32 mm Inputs

- D-PC32C N Female
- D-PC32D N Male
- D-PC32E 7-16 Female (Default)
- D-PC32F 7-16 Male
- D-PC32G 7/8" *FastLine* Socket
- D-PC32H 7/8" *FastLine* Flange
- D-PC32I 7/8" *FastLine* Plug
- D-PC32IO 7/8" *FastLine* Quick Plug
- D-PC32J 1+5/8" *FastLine* Socket
- D-PC32K 1+5/8" *FastLine* Flange
- D-PC32L 1+5/8" *FastLine* Plug

1x 32 mm Load

- D-PC32C N Female
- D-PC32E 7-16 Female (Default)
- D-PC32G 7/8" *FastLine* Socket
- D-PC32H 7/8" *FastLine* Flange
- D-PC32J 1+5/8" *FastLine* Socket
- D-PC32K 1+5/8" *FastLine* Flange

1x 32 mm Output

- D-PC32C N Female
- D-PC32E 7-16 Female (Default)
- D-PC32G 7/8" *FastLine* Socket
- D-PC32H 7/8" *FastLine* Flange
- D-PC32J 1+5/8" *FastLine* Socket
- D-PC32K 1+5/8" *FastLine* Flange

⁽¹⁾ Approximate, default configuration ⁽³⁾ Altitude < 1500 m (4,900 ft.), Free air, Ambient temp. <30 °C (86 °F) ⁽⁸⁾ Other Connections available