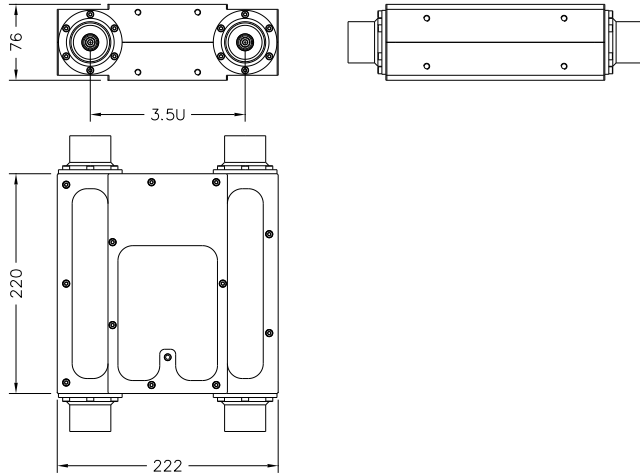
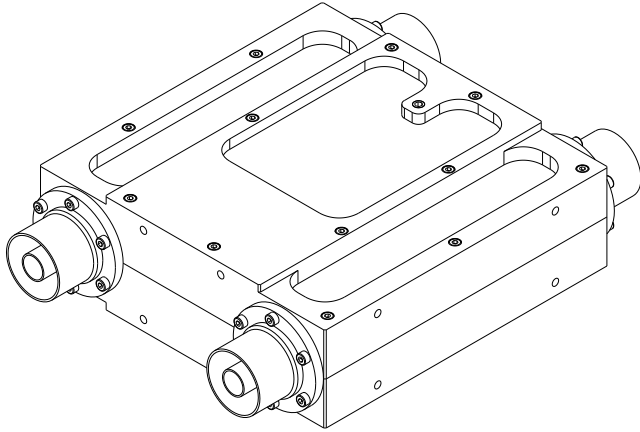


VHF B.III Hybrid Coupler



FEATURES

- Crossed Configuration
- Rack-Unit Connector Spacing
- Modular Connector System
- 10-Year Warranty

SPECIFICATIONS

Code / Revision	C-HF60B / A
Frequency Range	174-240 MHz
Max RMS Output Power ⁽³⁾	19.0 kW (230 MHz)
Connector Spacing (Center-to-Center)	3.5U
Return Loss (VSWR)	> 30 dB (1.07)
Isolation	> 30 dB
Amplitude Response	-3.03 ±0.15 dB
Phase Response	(0°, -90°) ±1°
Max Operating Temperature (Body)	65 °C (149 °F)
Environmental Conditions	-5 to +55 °C (+23 to +131 °F), IP60
Dimensions / Weight ⁽¹⁾	222x220x76 mm / 5 kg

Connectors ⁽⁸⁾

2x 64 mm Inputs

- D-PC64J 1+5/8" *FastLine* Socket (Default)
- D-PC64K 1+5/8" *FastLine* Flange
- D-PC64L 1+5/8" *FastLine* Plug
- PC64L0 1+5/8" *FastLine* Quick Plug
- D-PC64M 3+1/8" *FastLine* Socket
- D-PC64N 3+1/8" *FastLine* Flange
- D-PC64O 3+1/8" *FastLine* Plug

1x 64 mm Load

- D-PC64J 1+5/8" *FastLine* Socket (Default)
- D-PC64K 1+5/8" *FastLine* Flange
- D-PC64M 3+1/8" *FastLine* Socket
- D-PC64N 3+1/8" *FastLine* Flange

1x 64 mm Output

- D-PC64J 1+5/8" *FastLine* Socket (Default)
- D-PC64K 1+5/8" *FastLine* Flange
- D-PC64M 3+1/8" *FastLine* Socket
- D-PC64N 3+1/8" *FastLine* Flange

⁽¹⁾ Approximate, default configuration ⁽³⁾ Altitude < 1500 m (4,900 ft.), Free air, Ambient temp. <30 °C (86 °F) ⁽⁸⁾ Other Connections available