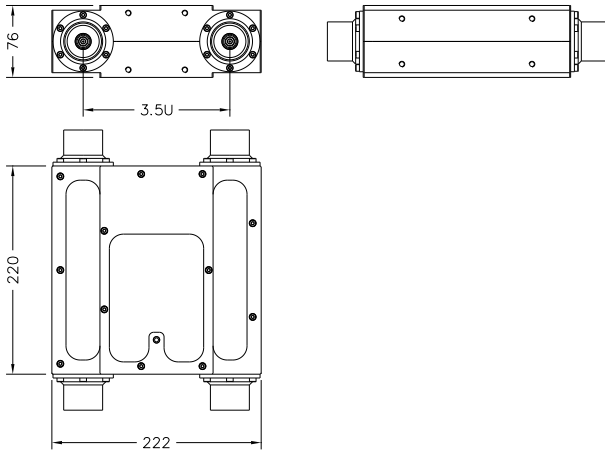
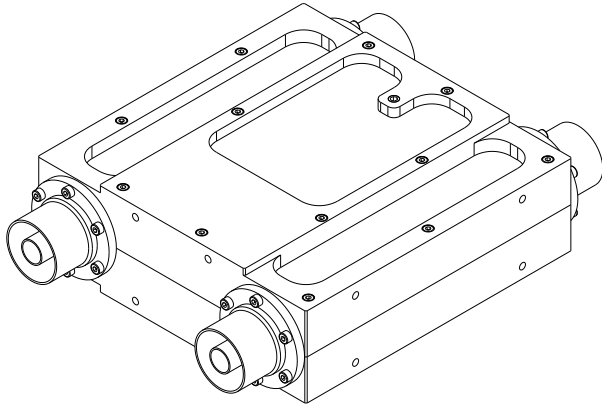


# Hybrid Coupler



## FEATURES

- Crossed Configuration
- 3.5U Unified Connector Spacing
- Interchangeable Connector System

## SPECIFICATIONS

Code / Revision	C-HF60B / A
Frequency Range	160-250 MHz
Max RMS Output Power	27.5 kW @ 160 MHz 21.0 kW @ 250 MHz
Connector Spacing (Center-to-Center)	3.5U
Return Loss / VSWR	> 30 dB / < 1.07
Isolation	> 30 dB
Amplitude Response	3.03 ± 0.15 dB
Phase Response	0° / -90° (±1°)
Max Operating Temperature (Body)	65°C (149°F)
Environmental Conditions	-5 to +55°C (+23 to +131°F), IP60
Dimensions / Weight <sup>(1)</sup>	222x220x76 mm / 5 kg (11 lb.)
Connectors <sup>(2)</sup>	<b>4x 64 mm Inputs (2x); Outputs (2x)</b> D-PC64J 1+5/8" FastLine Socket (Default) D-PC64K 1+5/8" EIA FastLine Flange D-PC64L 1+5/8" FastLine Plug D-PC64M 3+1/8" FastLine Socket D-PC64N 3+1/8" EIA FastLine Flange

<sup>(1)</sup> Default configuration <sup>(2)</sup> Other Connectors available

