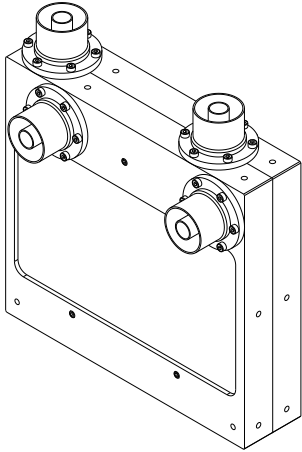


# FM Hybrid Coupler



## FEATURES

- Crossed Configuration
- Rack-Unit Connector Spacing
- Modular Connector System
- 10-Year Warranty

## SPECIFICATIONS

Code / Revision	C-HF60F / A
Frequency Range	87.5-108 MHz
Max RMS Output Power <sup>(3)</sup>	29.0 kW (108 MHz)
Connector Spacing (Center-to-Center)	4U
Return Loss (VSWR)	> 30 dB (1.07)
Isolation	> 30 dB
Amplitude Response	-3.03 ±0.10 dB
Phase Response	(0°,-90°) ±1°
Max Operating Temperature (Body)	65 °C (149 °F)
Environmental Conditions	-5 to +55 °C (+23 to +131 °F), IP60
Dimensions / Weight <sup>(1)</sup>	250x271x64 mm / 5.5 kg

### Connectors <sup>(6)</sup>

#### 2x 64 mm Inputs

D-PC64J	1+5/8" <i>FastLine</i> Socket (Default)
D-PC64K	1+5/8" <i>FastLine</i> Flange
D-PC64L	1+5/8" <i>FastLine</i> Plug
PC64LO	1+5/8" <i>FastLine</i> Quick Plug
D-PC64M	3+1/8" <i>FastLine</i> Socket
D-PC64N	3+1/8" <i>FastLine</i> Flange
D-PC64O	3+1/8" <i>FastLine</i> Plug

#### 1x 64 mm Load

D-PC64J	1+5/8" <i>FastLine</i> Socket (Default)
D-PC64K	1+5/8" <i>FastLine</i> Flange
D-PC64M	3+1/8" <i>FastLine</i> Socket
D-PC64N	3+1/8" <i>FastLine</i> Flange

#### 1x 64 mm Output

D-PC64J	1+5/8" <i>FastLine</i> Socket (Default)
D-PC64K	1+5/8" <i>FastLine</i> Flange
D-PC64M	3+1/8" <i>FastLine</i> Socket
D-PC64N	3+1/8" <i>FastLine</i> Flange

<sup>(1)</sup> Approximate, default configuration <sup>(3)</sup> Altitude < 1500 m (4,900 ft.), Free air, Ambient temp. <30 °C (86 °F) <sup>(6)</sup> Other Connections available

