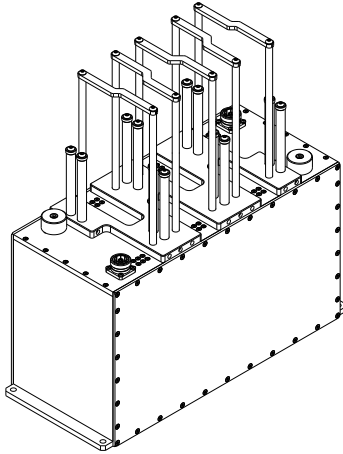


## VHF B.I 6-Pole 110 mm Bandpass Filter

HR6P110A

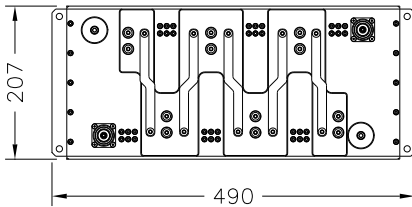
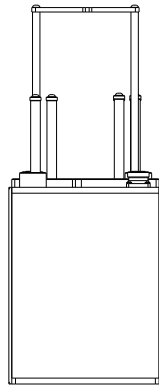
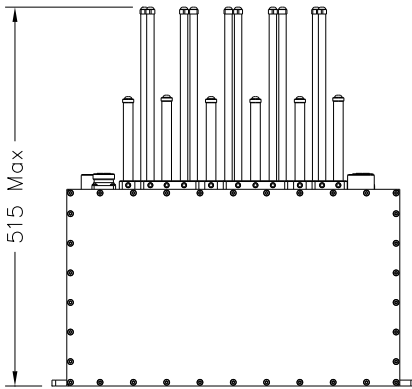


## FEATURES

- Hairpin
- Full-Band Tunability
- DC-Short
- Output Monitor Probe
- Modular Connector System
- 10-Year Warranty

## SPECIFICATIONS

Code / Revision	A-HR6P110A / A
No. of Poles / Cavity Size	6-Pole / 110 mm
Frequency Range / Bandwidth	54-88 MHz / 6-8 MHz
Temperature Stability	< 4 kHz/K
Max Operating Temperature (Body)	65 °C (149 °F)
Environmental Conditions	-5 to +55 °C (+23 to +131 °F), IP60
Dimensions / Weight <sup>(1)</sup>	490x207x515 mm / 20 kg
Output Monitor Probe	SMA Female
Connectors <sup>(2)</sup>	<b>2x 32 mm Input; Output</b>
	D-PC32C N Female
	D-PC32E 7-16 Female (Default)
	D-PC32G 7/8" FastLine Socket
	D-PC32H 7/8" FastLine Flange
	D-PC32J 1+5/8" FastLine Socket
	D-PC32K 1+5/8" FastLine Flange

TUNING DATA <sup>(2)</sup>

Mask (Bandwidth)	Stringent, Full Service <sup>(18)</sup> (6 MHz)		
Tuning Code	T-6E.04		
Max RMS Input Power <sup>(3)</sup>	Default	(88 MHz)	
	94%	1.1 kW	
Efficiency (Typ.)	94%		
Insertion Loss		(54 MHz)	(88 MHz)
	C.F.	< 0.54 dB	< 0.58 dB
	±2.916 MHz	< 0.64 dB	< 0.68 dB
	±2.69 MHz	< 0.57 dB	< 0.61 dB
	C.F. ± 3.5 MHz	> 3 dB	
Selectivity	C.F. ± 6.0 MHz	> 31 dB	
	C.F. ± 9.0 MHz	> 53 dB	
		> 50 dB up to 230 MHz	
Harmonic Attenuation <sup>(6)</sup>	> 25 dB (1.12)		
Return Loss (VSWR)	< 150 ns		
Group Delay Variation			

<sup>(1)</sup> Approximate, default configuration <sup>(2)</sup> Other Connectors, Options, Tunings available <sup>(3)</sup> Altitude < 1500 m (4,900 ft.), Free air, Ambient temp. < 30 °C (86 °F)

<sup>(6)</sup> Up to 3<sup>rd</sup> harmonic atten. with LP/LC Series Lowpass Filter <sup>(18)</sup> Can be achieved with a suitable TX spectrum