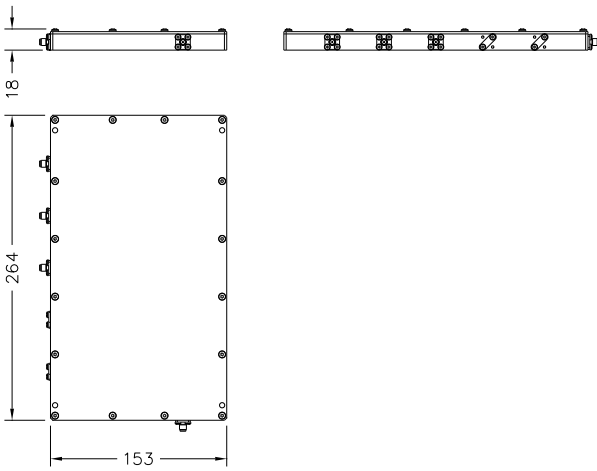
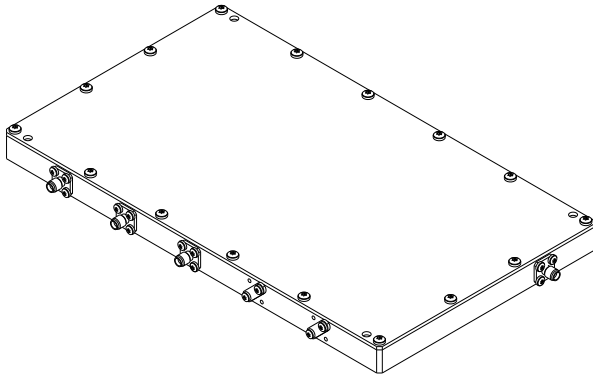


UHF 3-Way Progressive Splitter



FEATURES

- Progressive Power Combination System
- Designed for "MH Series" Multicouplers

SPECIFICATIONS

Code / Revision	C-PS3C / A
Frequency Range	470-800 MHz
Max RMS Input Power ⁽³⁾	10.0 W (700 MHz)
Insertion Loss	< 3.5 dB (over the theoretical -4.77 dB)
Return Loss / VSWR	> 20 dB / < 1.22
Isolation	> 20 dB
Amplitude Balance	< ±0.5 dB
Phase Response	Matched to MH3P60C / MH3P60RC
Max Operating Temperature (Body)	65 °C (149 °F)
Environmental Conditions	-5 to +55 °C (+23 to +131 °F), IP60
Dimensions / Weight ⁽¹⁾	153x264x18 mm / 1.1 kg (2.4 lb.)
Connector Interface	4 x 12 mm
Connectors ⁽⁸⁾	4x 12 mm Input (1x); Output (3x) D-PC12A SMA Female (Default) D-PC12C N Female

⁽¹⁾ Default configuration ⁽³⁾ Altitude < 1500 m (4,900 ft.), Free air, Ambient temp. <30 °C (86 °F)
⁽⁸⁾ Other Connectors available

