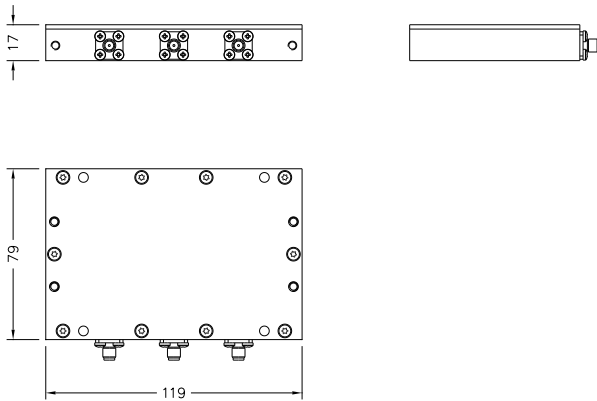
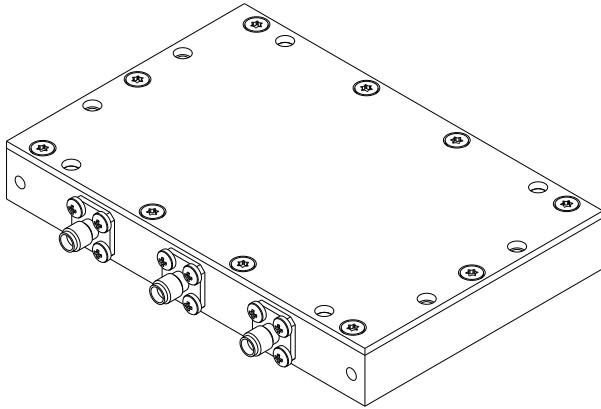


2-Way Quadrature Splitter



FEATURES

- 2-Way
- Quadrature Power Combination System
- Flat Frequency Response
- Designed for "MC Series" Multicouplers

SPECIFICATIONS

Code / Revision	C-QS2C / A
Frequency Range	470-862 MHz
Max RMS Input Power	10.0 W
Insertion Loss	< 0.6 dB (over the theoretical -3.01 dB)
Return Loss / VSWR	> 22 dB / < 1.17
Isolation	> 22 dB
Amplitude Balance	< ± 0.1 dB
Phase Response	$-90^\circ / 0^\circ (\pm 3^\circ)$
Max Operating Temperature (Body)	65°C (149°F)
Environmental Conditions	-5 to +55°C (+23 to +131°F), IP60
Dimensions / Weight ⁽¹⁾	119x79x17 mm / 0.3 kg (0.7 lb.)
Connectors ⁽²⁾	3x 12 mm Input (1x); Outputs (2x) D-PC12A SMA Female (Default) D-PC12C N Female

⁽¹⁾ Default configuration ⁽²⁾ Other Connectors available

