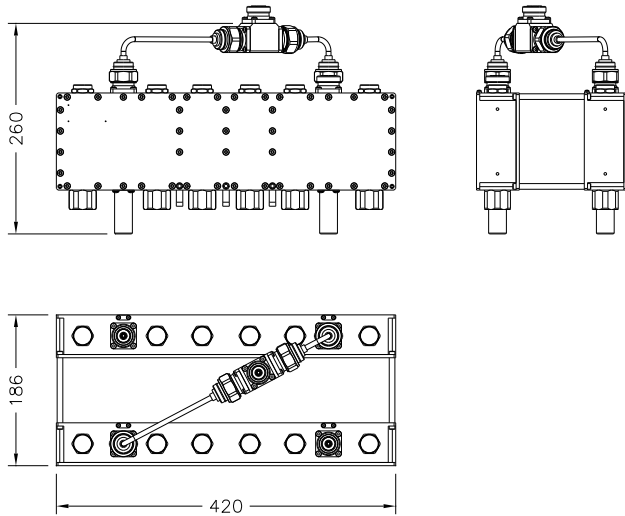
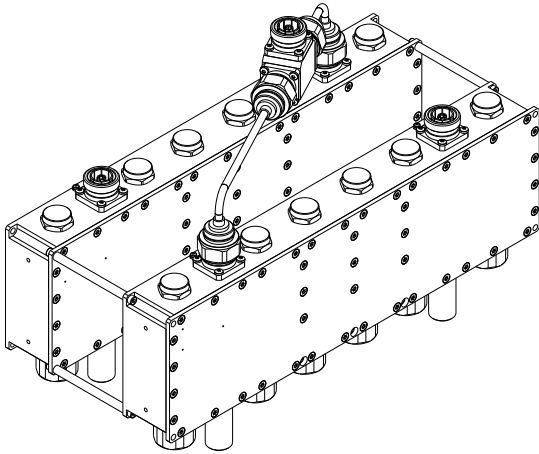


UHF 6-Pole 50 mm Starpoint Combiner

SB6X50C



FEATURES

- *XLine*: Extracted-Pole
- 1 Guard-Channel Spacing
- Full-Band Tunability
- Temperature Stabilization
- DC-Short
- Modular Connector System
- 10-Year Warranty

OPTIONS

- Frame



SPECIFICATIONS

Code / Revision	B-SB6X50C / C
No. of Poles / Cavity Size	6-Pole <i>XLine</i> / 50 mm
Frequency Range / Bandwidth	470-862 MHz / 6-8 MHz
Temperature Stability	< 2 kHz/K
Max Operating Temperature (Body)	65°C (149°F)
Environmental Conditions	-5 to +55°C (+23 to +131°F), IP60
Dimensions / Weight ⁽¹⁾	420x186x260 mm / 8 kg
Links	SM250 Cable (N Female)
Connectors ⁽²⁾	3x 32 mm Inputs; Output D-PC32C N Female D-PC32E 7-16 Female (Default) D-PC32G 7/8" <i>FastLine</i> Socket D-PC32H 7/8" <i>FastLine</i> Flange D-PC32J 1+5/8" <i>FastLine</i> Socket D-PC32K 1+5/8" <i>FastLine</i> Flange
Options ⁽²⁾	O-RDB.02 30mm Encased frame

TUNING DATA ⁽²⁾

	DVB-T2 / DVB T		ATSC 3.0 / ATSC 1.0		ISDB-T	
Mask (Bandwidth)	Non Critical (8 MHz)		Simple, Stringent ⁽¹⁸⁾ (6 MHz)		Non Critical ⁽¹⁸⁾ (6 MHz)	
Tuning Code	T-6X.07 / T-6X.01		T-6X.04		T-6X.05	
Max RMS Input Power ⁽³⁾	Default	(700 MHz) 300 W	Default	(700 MHz) 250 W	Default	(700 MHz) 240 W
Insertion Loss	C.F.	(470 MHz) < 0.63 dB (700 MHz) < 0.67 dB	C.F.	(470 MHz) < 0.80 dB (700 MHz) < 0.85 dB	C.F.	(470 MHz) < 0.83 dB (700 MHz) < 0.89 dB
		±3.885 MHz < 1.77 dB < 1.88 dB ±3.805 MHz < 1.51 dB < 1.61 dB		±2.916 MHz < 1.39 dB < 1.48 dB ±2.69 MHz < 1.07 dB < 1.14 dB		±2.79 MHz < 1.39 dB < 1.48 dB
		+ 0.03·(n+1) dB		+ 0.03·(n+1) dB		+ 0.03·(n+1) dB
Selectivity	C.F. ± 4.2 MHz	> 4 dB / 5 dB	C.F. ± 3.5 MHz	> 6 dB / > 10 dB	C.F. ± 3.15 MHz	> 5 dB
	C.F. ± 6.0 MHz	> 18 dB	C.F. ± 6.0 MHz	> 24 dB	C.F. ± 4.5 MHz	> 18 dB
	C.F. ± 12.0 MHz	> 40 dB	C.F. ± 9.0 MHz	> 36 dB	C.F. ± 9.0 MHz	> 38 dB
Harmonic Attenuation ⁽⁶⁾	> 50 dB up to 1.4 GHz		> 50 dB up to 1.4 GHz		> 50 dB up to 1.4 GHz	
Return Loss (VSWR)	> 23 dB (1.15) / > 25 dB (1.12)		> 25 dB (1.12)		> 25 dB (1.12)	
Isolation Between Inputs	> 30 dB		> 30 dB		> 30 dB	
Group Delay Variation	< 240 ns / < 220 ns		< 220 ns / < 160 ns		< 280 ns	

⁽¹⁾ Approximate, default configuration ⁽²⁾ Other Connectors, Options, Tunings available ⁽³⁾ Altitude < 1500 m (4,900 ft.), Free air, Ambient temp. < 30 °C (86 °F)
⁽⁶⁾ Up to 3rd harmonic atten. with LP/LC Series Lowpass Filter ⁽¹⁸⁾ Can be achieved with a suitable TX spectrum