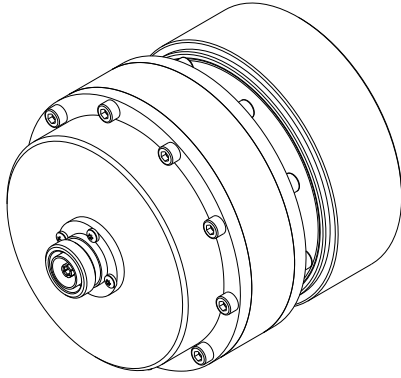


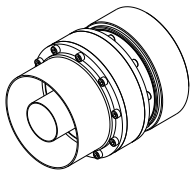
## 150 mm Straight Adapters



## FEATURES

- Interchangeable Connector System
- *FastLine* System
- Flush, Recessed and NAX/WX Cutbacks
- Direct Socket-Plug Connections
- EIA and JEITA Standard Compatible

RL-120 (WX-120D) - 6+1/8" (WX-152D) to  
RL-120 (WX-120D) - 6+1/8" (WX-152D)

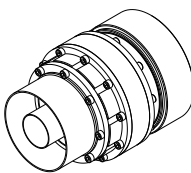


## SPECIFICATIONS

Code / Revision	D-SC150 / A
Return Loss <sup>(1)</sup>	> 40 dB (VSWR < 1.02)
Environmental Conditions	-5 to +55°C (+23 to +131°F), IP60
Connection A <sup>(2)</sup>	RL-120 (WX-120D) Socket / Flange / Plug 6+1/8" (WX-152D) Socket / Flange / Plug
Connection B <sup>(2)</sup>	RL-120 (WX-120D) Socket / Flange / Plug 6+1/8" (WX-152D) Socket / Flange / Plug
Options <sup>(3)</sup>	Flange nuts and bolts set

<sup>(1)</sup> @ 800 MHz <sup>(2)</sup> Inner Connections not included (Flanges only) <sup>(3)</sup> Flanges only

RL-120 (WX-120D) - 6+1/8" (WX-152D) to  
4+1/2"



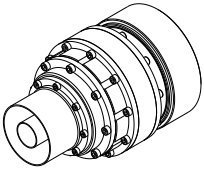
## SPECIFICATIONS

Code / Revision	D-SC150 / A
Return Loss <sup>(1)</sup>	> 40 dB (VSWR < 1.02)
Environmental Conditions	-5 to +55°C (+23 to +131°F), IP60
Connection A <sup>(2)</sup>	RL-120 (WX-120D) Socket / Flange / Plug 6+1/8" (WX-152D) Socket / Flange / Plug
Connection B <sup>(2)</sup>	4+1/2" Socket / Flange / Plug
Options <sup>(3)</sup>	Flange nuts and bolts set

<sup>(1)</sup> @ 800 MHz <sup>(2)</sup> Inner Connections not included (Flanges only) <sup>(3)</sup> Flanges only

## 150 mm Straight Adapters

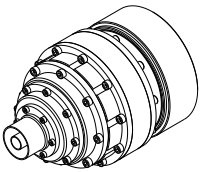
RL-120 (WX-120D) - 6+1/8" (WX-152D) to  
3+1/8" (WX-77D) / NAX77D



## SPECIFICATIONS

Code / Revision	D-SC150 / A
Return Loss <sup>(1)</sup>	> 40 dB (VSWR < 1.02)
Environmental Conditions	-5 to +55°C (+23 to +131°F), IP60
Connection A <sup>(2)</sup>	RL-120 (WX-120D) Socket / Flange / Plug 6+1/8" (WX-152D) Socket / Flange / Plug
Connection B <sup>(2)</sup>	3+1/8" (WX-77D) / NAX77D Socket / Flange / Plug
Options <sup>(3)</sup>	Flange nuts and bolts set
<sup>(1)</sup> @ 800 MHz <sup>(2)</sup> Inner Connections not included (Flanges only) <sup>(3)</sup> Flanges only	

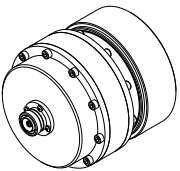
RL-120 (WX-120D) - 6+1/8" (WX-152D) to  
1+5/8" (WX-39D)



## SPECIFICATIONS

Code / Revision	D-SC150 / A
Return Loss <sup>(1)</sup>	> 40 dB (VSWR < 1.02)
Environmental Conditions	-5 to +55°C (+23 to +131°F), IP60
Connection A <sup>(2)</sup>	RL-120 (WX-120D) Socket / Flange / Plug 6+1/8" (WX-152D) Socket / Flange / Plug
Connection B <sup>(2)</sup>	1+5/8" (WX-39D) Socket / Flange / Plug
Options <sup>(3)</sup>	Flange nuts and bolts set
<sup>(1)</sup> @ 800 MHz <sup>(2)</sup> Inner Connections not included (Flanges only) <sup>(3)</sup> Flanges only	

RL-120 (WX-120D) - 6+1/8" (WX-152D) to  
N, 7-16, 7/8" (WX-20D)



## SPECIFICATIONS

Code / Revision	D-SC150 / A
Return Loss <sup>(1)</sup>	> 40 dB (VSWR < 1.02)
Environmental Conditions	-5 to +55°C (+23 to +131°F), IP60
Connection A <sup>(2)</sup>	RL-120 (WX-120D) Socket / Flange / Plug 6+1/8" (WX-152D) Socket / Flange / Plug
Connection B <sup>(2)</sup>	N Female / Male 7-16 Female / Male 7/8" (WX-20D) Socket / Flange / Plug
Options <sup>(3)</sup>	Flange nuts and bolts set
<sup>(1)</sup> @ 800 MHz <sup>(2)</sup> Inner Connections not included (Flanges only) <sup>(3)</sup> Flanges only	