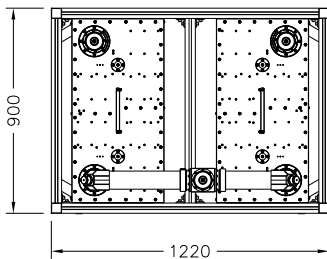
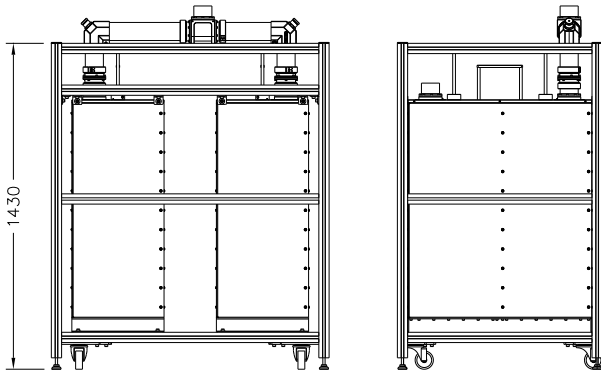
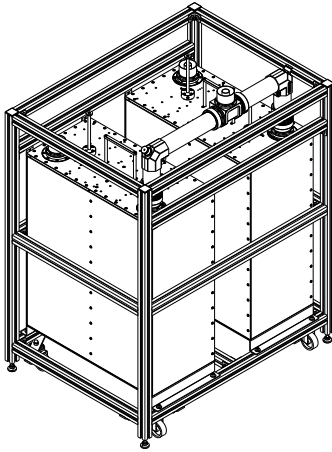


FM 4-Pole 560 mm Starpoint Combiner

SF2P560F



FEATURES

- Up to 4-Channel Combination
- Full-Band Tunability
- Temperature Stabilization
- DC-Short
- Output Monitor Probe
- Modular Connector System
- 10-Year Warranty

OPTIONS

- Heat Sinks
- Forced Air Cooling
- Liquid Cooling

SPECIFICATIONS

Code / Revision	B-SF2P560F/n / A <i>n: Number of Filtered Inputs</i>
No. of Poles / Cavity Size	2-Pole / 560 mm
Frequency Range	87.5-108 MHz
Frequency Spacing	≥ 2.0 MHz
Temperature Stability	< 400 Hz/K
Max Operating Temperature (Body)	65°C (149°F)
Environmental Conditions	-5 to +55°C (+23 to +131°F), IP60
Dimensions / Weight ⁽¹⁾	n=2: 1220x900x1430 mm / 148 kg n=3: 1220x1800x1430 mm / 220 kg n=4: 1220x1800x1400 mm / 285 kg
Operating Position	As shown in drawing only
Links	1+5/8" Rigid Line
Connectors ⁽²⁾	2x 64 mm Inputs D-PC64J 1+5/8" FastLine Socket (Default) D-PC64K 1+5/8" FastLine Flange D-PC64M 3+1/8" FastLine Socket D-PC64N 3+1/8" FastLine Flange 1x 100 mm Output D-PC100M 3+1/8" FastLine Socket (Default) D-PC100N 3+1/8" FastLine Flange D-PC100P 4+1/2" FastLine Socket D-PC100Q 4+1/2" FastLine Flange
Options ⁽²⁾	O-RMX.04O 45mm Modular Frame System HTC.13 Heat Sinks O-FTC.10 Forced Air Cooling O-LTC.13 Liquid Cooling O-MTS.01 70 °C (158 °F) N.C. Thermoswitch
Liquid Cooling Interface ⁽²⁾ / Coolant	3/8" NPT Male / Water and Antifreeze

TUNING DATA ⁽²⁾	2.8	2.4	2.0
Frequency Spacing (Bandwidth)	2.8 MHz (2.8 MHz)	2.4 MHz (2.4 MHz)	2.0 MHz (2.0 MHz)
Tuning Code	T-2F.01	T-2F.03	T-2F.02
Max RMS Input Power ⁽³⁾	(108 MHz) Default 28.5 kW Heat Sinks 34.2 kW Forced Air Cooling 42.7 kW Liquid Cooling ⁽⁵⁾ 42.7 kW	(108 MHz) Default 23.5 kW Heat Sinks 28.2 kW Forced Air Cooling 35.2 kW Liquid Cooling ⁽⁵⁾ 35.2 kW	(108 MHz) Default 19.1 kW Heat Sinks 22.9 kW Forced Air Cooling 28.6 kW Liquid Cooling ⁽⁵⁾ 28.6 kW
Insertion Loss	(87.5 MHz) (108 MHz) C.F. < 0.08 dB < 0.08 dB ±150 kHz < 0.08 dB < 0.09 dB + 0.01·(n+1) dB	(87.5 MHz) (108 MHz) C.F. < 0.09 dB < 0.10 dB ±150 kHz < 0.10 dB < 0.11 dB + 0.01·(n+1) dB	(87.5 MHz) (108 MHz) C.F. < 0.12 dB < 0.12 dB ±150 kHz < 0.13 dB < 0.13 dB + 0.01·(n+1) dB
Harmonic Attenuation	> 40 dB up to 324 MHz	> 40 dB up to 324 MHz	> 40 dB up to 324 MHz
Selectivity	C.F. ± 2.8 MHz > 26 dB	C.F. ± 2.4 MHz > 26 dB	C.F. ± 2.0 MHz > 26 dB
Return Loss (VSWR)	> 26 dB (1.11)	> 26 dB (1.11)	> 23 dB (1.15)
Isolation Between Inputs	> 30 dB	> 30 dB	> 30 dB
Group Delay Variation	< 40 ns	< 60 ns	< 80 ns

⁽¹⁾ Approximate, default configuration ⁽²⁾ Other Connectors, Options, Tunings available ⁽³⁾ Altitude < 1500 m (4.900 ft.), Free air, Ambient temp. < 30 °C (86 °F)
⁽⁵⁾ Glycol 30%, Liquid temp. 45 °C (113 °F), Liquid flow 6 l/min (1.6 gal/min)