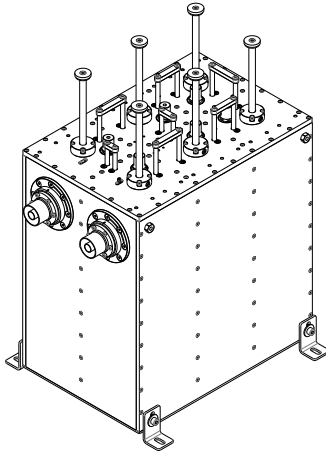


## DAB 6-Pole 140 mm Bandpass Filter

TC6D140R

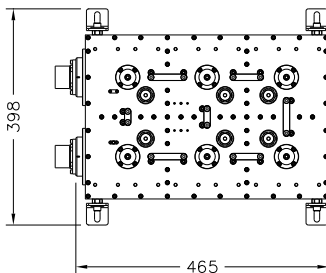
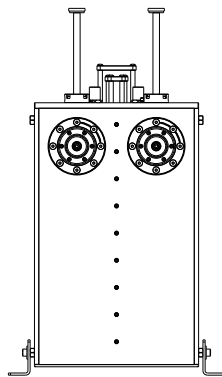
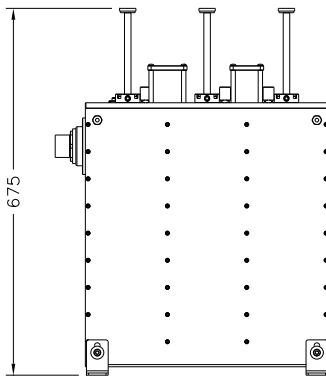


## FEATURES

- *DualCross*: Double Cross-Coupling
- Full-Band Tunability
- Temperature Stabilization
- DC-Short
- Output Monitor Probe
- Modular Connector System
- 10-Year Warranty

## OPTIONS

- Heat Sinks
- Forced Air Cooling
- Liquid Cooling



## SPECIFICATIONS

Code / Revision	A-TC6D140R / B
No. of Poles / Cavity Size	6-Pole <i>DualCross</i> / 140 mm
Frequency Range / Bandwidth	174-240 MHz / 1.54 MHz
Temperature Stability	< 1 kHz/K
Max Operating Temperature (Body)	65 °C (149 °F)
Environmental Conditions	-5 to +55 °C (+23 to +131 °F), IP60
Dimensions / Weight <sup>(1)</sup>	465x398x675 mm / 38 kg
Output Monitor Probe	SMA Female
Connectors <sup>(2)</sup>	<b>2x 64 mm Input; Output</b>
	D-PC64J 1+5/8" <i>FastLine</i> Socket (Default)
	D-PC64K 1+5/8" <i>FastLine</i> Flange
	D-PC64M 3+1/8" <i>FastLine</i> Socket
	D-PC64N 3+1/8" <i>FastLine</i> Flange
Options <sup>(2)</sup>	O-HTC.05 Heat Sinks
	O-FTC.02 Forced Air Cooling
	O-LTC.05 Liquid Cooling
	O-MTS.01 70 °C (158 °F) N.C. Thermal Switch
Liquid Cooling Interface <sup>(2)</sup> / Coolant	3/8" NPT Male / Water and Antifreeze

TUNING DATA <sup>(2)</sup>

	Case 1 (Critical)		Case 2 (Uncritical)	
Bandwidth	1.54 MHz		1.54 MHz	
Tuning Code	T-6DR.01		T-6DR.03	
Max RMS Input Power <sup>(3)</sup>		(230 MHz)		(230 MHz)
	Default	1.2 kW	Default	1.4 kW
	Heat Sinks	1.5 kW	Heat Sinks	1.8 kW
	Forced Air Cooling	2.9 kW	Forced Air Cooling	3.6 kW
	Liquid Cooling <sup>(5)</sup>	2.6 kW	Liquid Cooling <sup>(5)</sup>	3.2 kW
Efficiency (Typ.)	81%		84%	
Insertion Loss		(174 MHz) (230 MHz)		(174 MHz) (230 MHz)
	C.F.	< 0.60 dB < 0.70 dB	C.F.	< 0.56 dB < 0.66 dB
	±0.77 MHz	< 1.10 dB < 1.30 dB	±0.77 MHz	< 0.95 dB < 1.12 dB
Selectivity	C.F. ± 0.97 MHz	> 15 dB	C.F. ± 0.97 MHz	> 4 dB
	C.F. ± 1.75 MHz	> 45 dB	C.F. ± 1.75 MHz	> 32 dB
	C.F. ± 2.20 MHz	> 45 dB	C.F. ± 2.20 MHz	> 45 dB
	C.F. ± 3.0 MHz	> 45 dB	C.F. ± 3.0 MHz	> 45 dB
Harmonic Attenuation <sup>(6)</sup>	> 50 dB up to 500 MHz		> 50 dB up to 500 MHz	
Return Loss (VSWR)	> 26 dB (1.11)		> 26 dB (1.11)	
Group Delay Variation	< 950 ns		< 500 ns	

<sup>(1)</sup> Approximate, default configuration <sup>(2)</sup> Other Connectors, Options, Tunings available <sup>(3)</sup> Altitude < 1500 m (4,900 ft.), Free air, Ambient temp. < 30 °C (86 °F)

<sup>(5)</sup> Glycol 30%, Liquid temp. 45 °C (113 °F), Liquid flow 6 l/min (1.6 gal/min) <sup>(6)</sup> Up to 3<sup>rd</sup> harmonic atten. with LP/LC Series Lowpass Filter