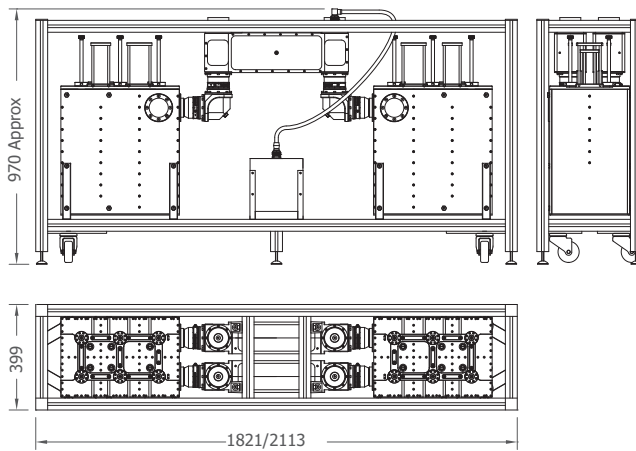
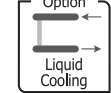
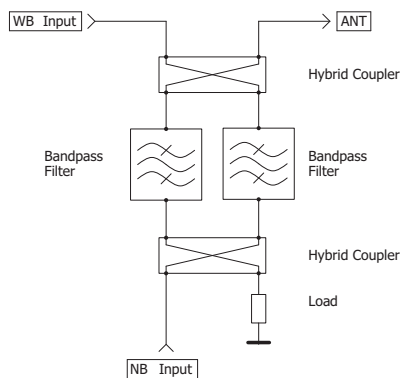


# VHF B.III 20 kW 6/8-Pole Balanced Combiner

## DB6D140B DB8D140B



SPECIFICATIONS	DB6D140B	DB8D140B
Product Code	B-DB6D140B-xxx-yy	B-DB8D140B-xxx-yy
DVB Mask	Non Critical Mask	Critical Mask
ATSC Mask	FCC Mask	FCC Mask
ISDB Mask	Non Critical Mask	Critical Mask
Frequency Range	162 – 254 MHz	
Bandwidth	6 to 8 MHz	
Order	6-Pole Eil. Resp.	8-Pole Eil. Resp.
Max NB Input Power	10 kW DTV (15 kW ATV)	
Max Output Power	20 kW DTV (30 kW ATV)	
Temperature Stability	< 2 kHz / K	
Max Operating Temp.	70 °C (158 °F)	
Environmental Conditions	-5 to +55 °C (+23 to +131 °F), IP60	
Body Finish	Metallic black coloring	
Dimensions	1821 x 399 x 970 mm	2113 x 399 x 970 mm
Weight	121 kg (266 lb)	151 kg (332 lb)
Part List	2 x TC6D140B 2 x HC100B 1 x DL300C	2 x TC8D140B 2 x HC100B 1 x DL300C
Links	EIA 3+1/8" Rigid Line Link	
Frame	Modular Frame	
Connectors Interface	3 x 100mm Series	
Connectors	D-PC100M EIA 3+1/8" FastLine Socket (Default)	D-PC100N EIA 3+1/8" FastLine Flange
	D-PC100P EIA 4+1/2" FastLine Socket	D-PC100Q EIA 4+1/2" FastLine Flange
Options	O-HL.02	Liquid Cooling add-on



TRANSMITTING COMBINERS  
VHF B.III

TUNING DATA*	DVB 7 MHz N.C.M. (DB6D140B)	DVB 7 MHz C.M. (DB8D140B)	ATSC FCC M. (DB6D140B)
NB Insertion Loss	< 0.24 +0.05·N dB @ C.F. < 0.70 +0.05·N dB @ C.F. ±3.325 MHz	< 0.32 +0.05·N dB @ C.F. < 0.91 +0.05·N dB @ C.F. ±3.325 MHz	< 0.32 +0.05·N dB @ C.F. < 0.55 +0.05·N dB @ C.F. ±2.7 MHz
WB Insertion Loss	< 0.05·N dB	< 0.05·N dB	< 0.05·N dB
Selectivity	> 5 dB @ C.F. ±3.675 MHz > 16 dB @ C.F. ± 5.25 MHz > 41 dB @ C.F. ± 10.5 MHz	> 15 dB @ C.F. ±3.675 MHz > 26 dB @ C.F. ± 5.25 MHz > 51 dB @ C.F. ± 10.5 MHz	> 10 dB @ C.F. ±3.5 MHz > 29 dB @ C.F. ± 6 MHz > 63 dB @ C.F. ± 9 MHz
Return Loss**	> 26 - 6·log N dB (VSWR < 1.11 + 0.12·log N)	> 26 - 6·log N dB (VSWR < 1.11 + 0.12·log N)	> 26 - 6·log N dB (VSWR < 1.11 + 0.12·log N)
De-coupling	> 30 dB	> 30 dB	> 30 dB
NB Group Delay Variation	< 250 ns	< 450 ns	< 150 ns
Over-Temperature with O-HL.02	< 46 K @ 10 kW DTV < 15 K @ 10 kW DTV	< 52 K @ 10 kW DTV < 17 K @ 10 kW DTV	< 53 K @ 10 kW DTV < 17 K @ 10 kW DTV

\*Non Adjacent Channels    \*\* WB: one channel optimization