

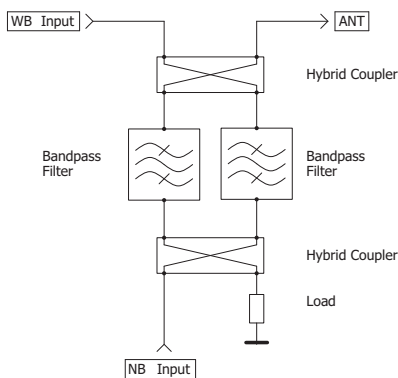
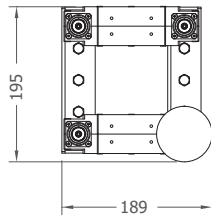
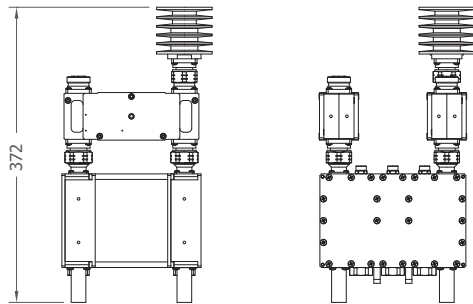


DB
Series

32
mm
Connectors

Option
19" Rack

Option
Encased Frame



SPECIFICATIONS

Product Code	B-DB3P30C-xxx-yy
Frequency Range	470 – 862 MHz
Bandwidth	6 to 8 MHz
Ch. Distance	1 guard ch.
Order	3-Pole
Max NB Input Power	400 W DTV (600 W ATV)
Max Output Power	1 kW DTV (1.5 kW ATV)
Temperature Stability	< 17 kHz / K
Max Operating Temp.	70 °C (158 °F)
Environmental Conditions	-5 to +55 °C (+23 to +131 °F), IP60
Body Finish	Metallic black coloring
Dimensions	189 x 195 x 372 mm
Weight	6 kg (13 lb)
Part List	2 x CL3P30C 2 x HC40C 1 x DH30C
Links	7-16 3U Matching Bridge Link
Frame	Encased Frame (N≥2)
Connectors Interface	3 x 32mm Series
Connectors	D-PC32C N Female D-PC32E 7-16 Female (Default) D-PC32G EIA 7/8" Socket D-PC32H EIA 7/8" Flange
Options	O-LM.01 EIA 7/8" M.L. section O-RK.04 3U 19" Rack, w/ handles O-FE.01 Encased Frame (N=1)

TRANSMITTING COMBINERS
UHF

TUNING DATA

	CCIR G Standard	FCC M Standard
NB Insertion Loss	< 0.65 + 0.05·N dB @ V.C.	< 0.78 + 0.05·N dB @ V.C.
WB Insertion Loss	< 0.05·N dB	< 0.05·N dB
Selectivity	> 3 dB @ V.C. -5.5/+11 MHz > 12 dB @ V.C. -11/+16.5 MHz	> 3 dB @ V.C. -4.5/+9 MHz > 12 dB @ V.C. -9/+13.5 MHz
Return Loss	> 26 - 6·log N dB (VSWR < 1.11 + 0.12·log N)	> 26 - 6·log N dB (VSWR < 1.11 + 0.12·log N)
De-coupling	> 30 dB	> 30 dB
NB Group Delay Variation	< 20 ns	< 20 ns
Over-Temperature	< 45 K @ 600 W ATV	< 55 K @ 600 W ATV