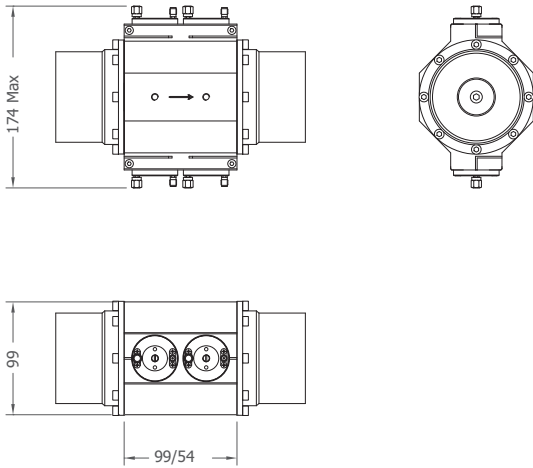


UHF/VHF 20 kW 2/4-Slot Directional Coupler

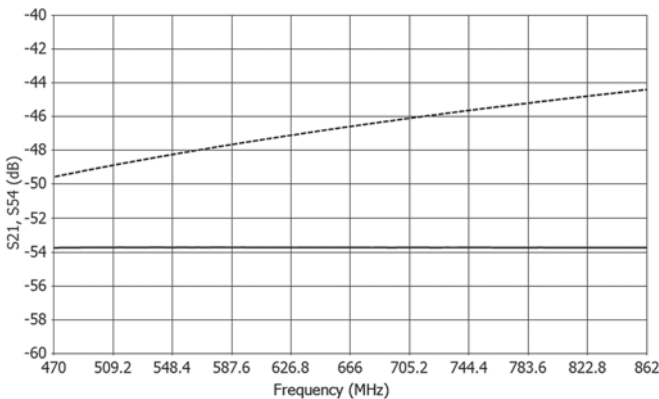
DC2A77/nABC DC4A77/nABC



100
mm
Connectors



SPECIFICATIONS	DC2A77/nM	DC4A77/nM
Product Code	C-DC2A77/nM-xx-yy	C-DC4A77/nM-xx-yy
Project Number	J-113-01	J-070-01
Frequency Range	470 – 862 MHz (/nC) 162 – 254 MHz (/nB) 41 – 100 MHz (/nA)	
No. of slots	2	4
Max Output Power	20 kW DTV (30 kW ATV)	
Coupling	-48 to -72 dB (on any channel)	
Coupling variation	< ±0.15 dB 470 – 862 MHz (/nC) < ±0.15 dB 162 – 254 MHz (/nB)	
Return Loss	> 30 dB (VSWR < 1.07)	
Directivity	> 30 dB	
Environmental Conditions	-5 to +55 °C (+23 to +131 °F), IP60	
Body Finish	Aluminum, passivated	
Dimensions	54 x 99 x 174 mm	99 x 99 x 174 mm
Weight	1.7 kg (3.7 lb)	2.5 kg (5.5 lb)
Connectors Interface	2 x 100mm Series	
Connectors	D-PC100J EIA 1+5/8" FastLine Socket D-PC100K EIA 1+5/8" FastLine Flange D-PC100L EIA 1+5/8" FastLine Plug D-PC100M EIA 3+1/8" FastLine Socket (Default) D-PC100N EIA 3+1/8" FastLine Flange D-PC100O EIA 3+1/8" FastLine Plug	
Options	O-DX.01 UHF SMA Female probe O-DX.02 VHF B.III SMA Female probe O-DX.03 VHF B.I-II SMA Female probe O-DN.01 UHF SMA Female probe, Non-Eq. O-DN.02 VHF B.III SMA Female probe, Non-Eq. O-DZ.01 N Female connector on probe	



COAXIAL COMPONENTS
UHF/VHF Directional Couplers