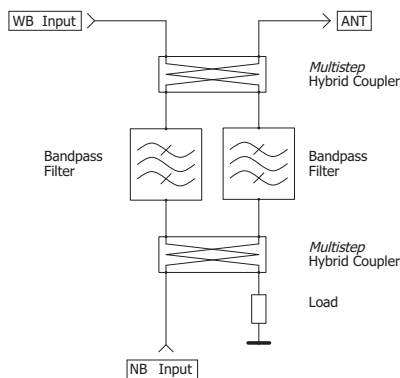
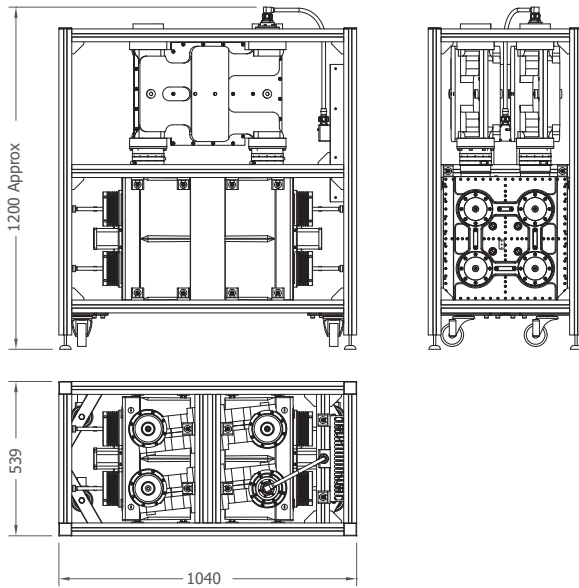
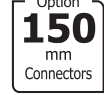
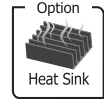


UHF 50 kW 4-Pole Balanced Combiner

DF4E200C



SPECIFICATIONS

Product Code	B-DF4E200C-xxx-yy
Frequency Range	470 – 862 MHz
Bandwidth	6 to 8 MHz
Ch. Distance	1 guard ch.
Order	4-Pole Elliptical Response
Max NB Input Power with O-HL.04	20 kW DTV (30 kW ATV) 40 kW DTV (60 kW ATV)
Max Output Power	50 kW DTV (75 kW ATV)
Temperature Stability	< 2 kHz / K
Max Operating Temp.	70 °C (158 °F)
Environmental Conditions	-5 to +55 °C (+23 to +131 °F), IP60
Body Finish	Metallic black coloring
Dimensions	1040 x 539 x 1200 mm
Weight	173 kg (381 lb)
Part List	2 x TC4E200C 2 x TH150C 1 x DL750C
Links	EIA 4+1/2" Rigid Line Link
Frame	Modular Frame
Connectors Interface	3 x 130mm/150mm Series
Connectors	D-PC130M EIA 3+1/8" FastLine Socket D-PC130N EIA 3+1/8" FastLine Flange D-PC130P EIA 4+1/2" FastLine Socket (Default) D-PC130Q EIA 4+1/2" FastLine Flange D-PC150S RL 120 FastLine Socket D-PC150U EIA 6+1/8" FastLine Socket D-PC150V EIA 6+1/8" FastLine Flange
Options	O-HF.04 Heat Sink add-on O-HL.04 Liquid Cooling add-on O-LK.07 RL 120 R.L. Link (Upgrade)

TRANSMITTING COMBINERS
UHF

TUNING DATA

	CCIR G Standard	FCC M Standard
NB Insertion Loss	< 0.15 +0.05·N dB @ V.C.	< 0.16 +0.05·N dB @ V.C.
WB Insertion Loss	< 0.05·N dB	< 0.05·N dB
Selectivity	> 40 dB @ V.C. -5.5/+11 MHz > 24 dB @ V.C. -11/+16.5 MHz	> 40 dB @ V.C. -4.5/+9 MHz > 24 dB @ V.C. -9/+13.5 MHz
Return Loss	> 26 - 6·log N dB (VSWR < 1.11 + 0.12·log N)	> 26 - 6·log N dB (VSWR < 1.11 + 0.12·log N)
De-coupling	> 30 dB	> 30 dB
NB Group Delay Variation	< 25 ns	< 25 ns
Over-Temperature with O-HF.04 with O-HL.04	< 43 K @ 30 kW ATV < 34 K @ 30 kW ATV < 25 K @ 60 kW ATV	< 53 K @ 30 kW ATV < 42 K @ 30 kW ATV < 31 K @ 60 kW ATV