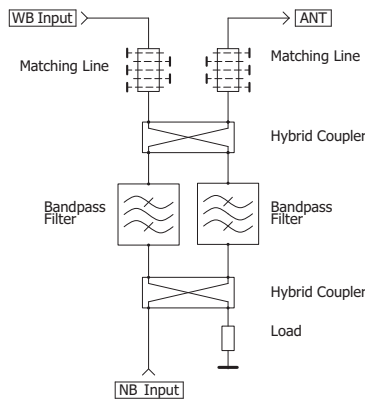
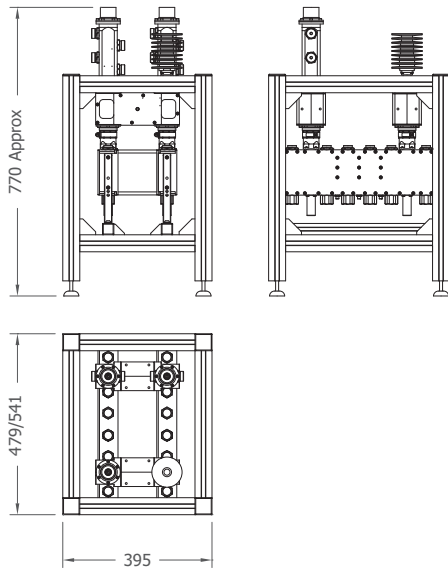


UHF 3 kW 6/7-Pole Balanced Combiner

DM6X50C DM7X50C



SPECIFICATIONS

	DM6X50C	DM7X50C
Product Code	B-DM6X50C-xxx-yy	B-DM7X50C-xxx-yy
DVB Mask	Non Critical Mask	Critical Mask
ATSC Mask	Simple Mask	Stringent M.
ISDB Mask	Non Critical Mask	Critical Mask
Frequency Range	470 – 862 MHz	
Bandwidth	6 to 8 MHz	
Order	6-Pole Eil. Resp.	7-Pole Eil. Resp.
Max NB Input Power	500 W DTV (750 W ATV)	
Max Output Power	3 kW DTV (4.5 kW ATV)	
Temperature Stability	< 2 kHz / K	
Max Operating Temp.	70 °C (158 °F)	
Environmental Conditions	-5 to +55 °C (+23 to +131 °F), IP60	
Body Finish	Metallic black coloring	
Dimensions	395 x 479 x 770 mm	395 x 541 x 770 mm
Weight	25 kg (55 lb)	26 kg (57 lb)
Part List	2 x CL6X50 2 x HC60C 2 x ML39C 1 x DH75C	2 x CL7X50 2 x HC60C 2 x ML39C 1 x DH75C
Links	EIA 1+5/8" Rigid Line Link	
Frame	Semi-Modular Frame (N≥2)	
Connectors Interface	3 x 64mm Series	
Connectors	D-PC64E 7-16 Female D-PC64G EIA 7/8" FastLine Socket D-PC64H EIA 7/8" FastLine Flange D-PC64J EIA 1+5/8" FastLine Socket (Default) D-PC64K EIA 1+5/8" FastLine Flange	
Options	O-FS.01	Semi-Modular Frame (N=1)

TRANSMITTING COMBINERS
UHF

TUNING DATA*

	DVB 8 MHz N.C.M. (DM6X50C)	DVB 8 MHz C.M. (DM7X50C)	ATSC Simple M. (DM6X50C)
NB Insertion Loss	< 0.75 +0.05-N dB @ C.F. < 2.00 +0.05-N dB @ C.F. ±3.8 MHz	< 1.00 +0.05-N dB @ C.F. < 3.60 +0.05-N dB @ C.F. ±3.8 MHz	< 0.90 +0.05-N dB @ C.F. < 1.50 +0.05-N dB @ C.F. ±2.7 MHz
WB Insertion Loss	< 0.05-N dB	< 0.05-N dB	< 0.05-N dB
Selectivity	> 5 dB @ C.F. ±4.2 MHz > 16 dB @ C.F. ± 6 MHz > 41 dB @ C.F. ± 12 MHz	> 15 dB @ C.F. ±4.2 MHz > 26 dB @ C.F. ± 6 MHz > 51 dB @ C.F. ± 12 MHz	> 10 dB @ C.F. ±3.5 MHz > 24 dB @ C.F. ± 6 MHz > 36 dB @ C.F. ± 9 MHz
Return Loss**	> 26 - 6·log N dB (VSWR < 1.11 + 0.12·log N)	> 26 - 6·log N dB (VSWR < 1.11 + 0.12·log N)	> 26 - 6·log N dB (VSWR < 1.11 + 0.12·log N)
De-coupling	> 30 dB	> 30 dB	> 30 dB
NB Group Delay Variation	< 200 ns	< 350 ns	< 150 ns
Over-Temperature	< 30 K @ 500 W DTV	< 34 K @ 500 W DTV	< 34 K @ 500 W DTV

*Non Adjacent Channels ** WB: one channel optimization