



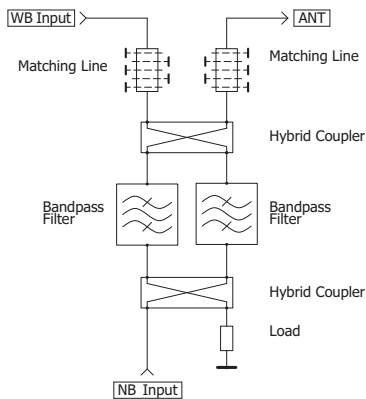
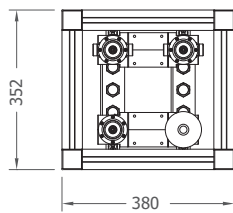
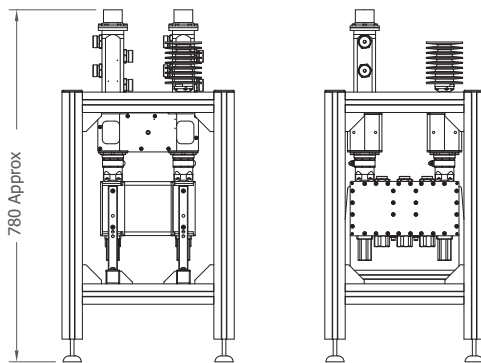
DM
Series

64
mm
Connectors

Option
Semi Modular
Frame

SPECIFICATIONS

Product Code	B-DM3P50C-xxx-yy
Frequency Range	470 – 862 MHz
Bandwidth	6 to 8 MHz
Ch. Distance	1 guard ch.
Order	3-Pole
Max NB Input Power	1 kW DTV (1.5 kW ATV)
Max Output Power	5 kW DTV (7.5 kW ATV)
Temperature Stability	< 17 kHz / K
Max Operating Temp.	70 °C (158 °F)
Environmental Conditions	-5 to +55 °C (+23 to +131 °F), IP60
Body Finish	Metallic black coloring
Dimensions	380 x 352 x 780 mm
Weight	21 kg (46 lb)
Part List	2 x CL3P50C 2 x HC60C 2 x ML39C 1 x DH75C
Links	EIA 1+5/8" Rigid Line Link
Frame	Semi-Modular Frame (N≥2)
Connectors Interface	3 x 64mm Series
Connectors	D-PC64E 7-16 Female D-PC64G EIA 7/8" FastLine Socket D-PC64H EIA 7/8" FastLine Flange D-PC64J EIA 1+5/8" FastLine Socket (Default) D-PC64K EIA 1+5/8" FastLine Flange
Options	O-FS.01 Semi-Modular Frame (N=1)



TUNING DATA

	CCIR G Standard	FCC M Standard
NB Insertion Loss	< 0.49 + 0.05·N dB @ V.C.	< 0.59 + 0.05·N dB @ V.C.
WB Insertion Loss	< 0.05·N dB	< 0.05·N dB
Selectivity	> 3 dB @ V.C. -5.5/+11 MHz > 12 dB @ V.C. -11/+16.5 MHz	> 3 dB @ V.C. -4.5/+9 MHz > 12 dB @ V.C. -9/+13.5 MHz
Return Loss	> 26 - 6·log N dB (VSWR < 1.11 + 0.12·log N)	> 26 - 6·log N dB (VSWR < 1.11 + 0.12·log N)
De-coupling	> 30 dB	> 30 dB
NB Group Delay Variation	< 25 ns	< 25 ns
Over-Temperature	< 38 K @ 1.5 kW ATV	< 46 K @ 1.5 kW ATV

TRANSMITTING COMBINERS
UHF