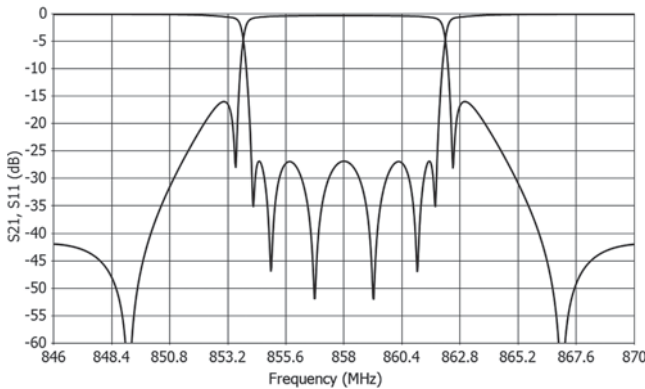
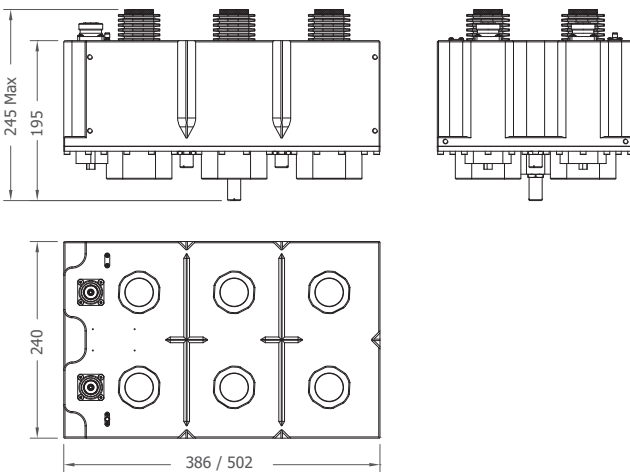
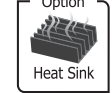


UHF 1 kW 6/8-Pole Bandpass Filter

FC6D110C FC8D110C



ISDB



SPECIFICATIONS

	FC6D110C	FC8D110C
Product Code	A-FC6D110C-xx-yy	A-FC8D110C-xx-yy
Project Number	J-059-01	J-137-01
DVB Mask	Non Critical Mask	Critical Mask
ATSC Mask	FCC Mask	FCC Mask
ISDB Mask	Non Critical Mask	Critical Mask
Frequency Range	470 – 862 MHz	
Bandwidth	6 to 8 MHz	
Order	6-Pole Ell. Resp.	8-Pole Ell. Resp.
Max Input Power	1 kW DTV (1.5 kW ATV)	
Temperature Stability	< 2 kHz / K	
Max Operating Temp.	70 °C (158 °F)	
Environmental Conditions	-5 to +55 °C (+23 to +131 °F), IP60	
Body Finish	Metallic black coloring	
Dimensions	386 x 240 x 245 mm	502 x 240 x 245 mm
Weight	13 kg (28.6 lb)	17.5 kg (38.5 lb)
Output Monitor Probe	SMA Female	
Connectors Interface	2 x 32mm Series	
Connectors	D-PC32E 7-16 Female (Default) D-PC32G EIA 7/8" FastLine Socket D-PC32H EIA 7/8" FastLine Flange D-PC32J EIA 1+5/8" FastLine Socket D-PC32K EIA 1+5/8" FastLine Flange	
Options	O-MR.01 SMB Output Monitor Probe O-MR.02 Output Monitor Probe on the left O-RK.07 6U 19" Rack, w/ handles O-HF.02 Heat Sink add-on	

TUNING DATA

	DVB 8 MHz N.C.M. (FC6D110C)	DVB 8 MHz C.M. (FC8D110C)	ATSC FCC M. (FC6D110C)
Insertion Loss	< 0.38 dB @ C.F. < 1.25 dB @ C.F. ±3.8 MHz	< 0.52 dB @ C.F. < 1.90 dB @ C.F. ±3.8 MHz	< 0.52 dB @ C.F. < 0.90 dB @ C.F. ±2.7 MHz
Selectivity	> 5 dB @ C.F. ±4.2 MHz > 16 dB @ C.F. ± 6 MHz > 41 dB @ C.F. ± 12 MHz	> 15 dB @ C.F. ±4.2 MHz > 26 dB @ C.F. ± 6 MHz > 51 dB @ C.F. ± 12 MHz	> 10 dB @ C.F. ±3.5 MHz > 29 dB @ C.F. ± 6 MHz > 63 dB @ C.F. ± 9 MHz
Harmonic Attenuation with LC39C	> 50 dB up to 1.1 GHz > 50 dB up to 3.0 GHz	> 50 dB up to 1.1 GHz > 50 dB up to 3.0 GHz	> 50 dB up to 1.1 GHz > 50 dB up to 3.0 GHz
Return Loss	> 26 dB (VSWR < 1.11)	> 26 dB (VSWR < 1.11)	> 26 dB (VSWR < 1.11)
Group Delay Variation	< 250 ns	< 450 ns	< 150 ns
Over-Temperature with O-HF.02	< 28 K @ 1 kW DTV < 22 K @ 1 kW DTV	< 31 K @ 1 kW DTV < 25 K @ 1 kW DTV	< 32 K @ 1 kW DTV < 26 K @ 1 kW DTV

BANDPASS FILTERS
UHF