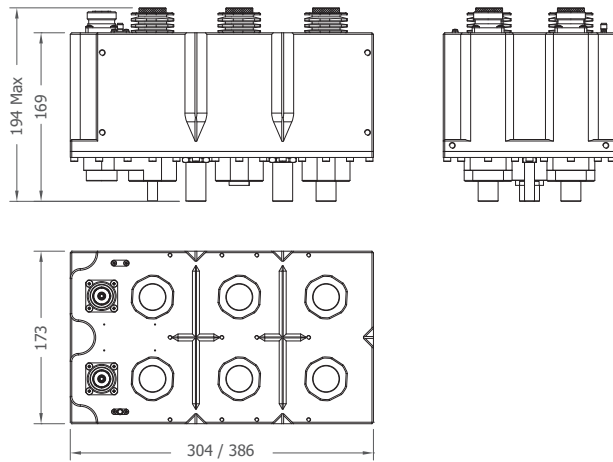
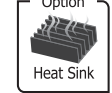


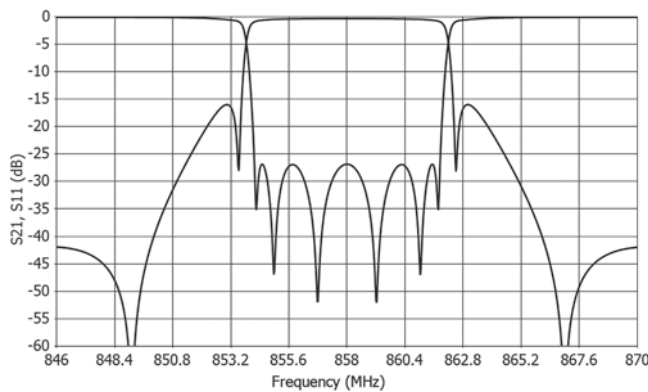
UHF 500 W 6/8-Pole Bandpass Filter

FC6D80C FC8D80C



SPECIFICATIONS

| | FC6D80C | FC8D80C |
|--------------------------|---|--------------------|
| Product Code | A-FC6D80C-xx-yy | A-FC8D80C-xx-yy |
| Project Number | J-056-03 | J-136-01 |
| DVB Mask | Non Critical Mask | Critical Mask |
| ATSC Mask | FCC Mask | FCC Mask |
| ISDB Mask | Non Critical Mask | Critical Mask |
| Frequency Range | 470 – 862 MHz | |
| Bandwidth | 6 to 8 MHz | |
| Order | 6-Pole EII. Resp. | 8-Pole EII. Resp. |
| Max Input Power | 500 W DTV (750W ATV) | |
| Temperature Stability | < 2 kHz / K | |
| Max Operating Temp. | 70 °C (158 °F) | |
| Environmental Conditions | -5 to +55 °C (+23 to +131 °F), IP60 | |
| Body Finish | Metallic black coloring | |
| Dimensions | 304 x 173 x 194 mm | 386 x 173 x 194 mm |
| Weight | 8.5 kg (18.7 lb) | 11.5 kg (25.3 lb) |
| Output Monitor Probe | SMA Female | |
| Connectors Interface | 2 x 32mm Series | |
| Connectors | D-PC32E 7-16 Female (Default) D-PC32G EIA 7/8" FastLine Socket D-PC32H EIA 7/8" FastLine Flange | |
| Options | O-MR.01 SMB Output Monitor Probe O-MR.02 Output Monitor Probe on the left O-RK.05 4U 19" Rack, w/ handles O-HF.01 Heat Sink add-on | |



TUNING DATA

| | DVB 8 MHz N.C.M. (FC6D80C) | DVB 8 MHz C.M. (FC8D80C) | ATSC FCC M. (FC6D80C) |
|---------------------------------|---|--|---|
| Insertion Loss | < 0.46 dB @ C.F. < 1.60 dB @ C.F. ±3.8 MHz | < 0.71 dB @ C.F. < 2.59 dB @ C.F. ±3.8 MHz | < 0.72 dB @ C.F. < 1.22 dB @ C.F. ±2.7 MHz |
| Selectivity | > 5 dB @ C.F. ±4.2 MHz > 16 dB @ C.F. ± 6 MHz > 41 dB @ C.F. ± 12 MHz | > 15 dB @ C.F. ±4.2 MHz > 26 dB @ C.F. ± 6 MHz > 51 dB @ C.F. ± 12 MHz | > 10 dB @ C.F. ±3.5 MHz > 29 dB @ C.F. ± 6 MHz > 63 dB @ C.F. ± 9 MHz |
| Harmonic Attenuation with LC39C | > 50 dB up to 1.2 GHz > 50 dB up to 3.0 GHz | > 50 dB up to 1.2 GHz > 50 dB up to 3.0 GHz | > 50 dB up to 1.2 GHz > 50 dB up to 3.0 GHz |
| Return Loss | > 26 dB (VSWR < 1.11) | > 26 dB (VSWR < 1.11) | > 26 dB (VSWR < 1.11) |
| Group Delay Variation | < 250 ns | < 450 ns | < 150 ns |
| Over-Temperature with O-HF.01 | < 24 K @ 500 W DTV < 19 K @ 500 W DTV | < 27 K @ 500 W DTV < 22 K @ 500 W DTV | < 27 K @ 500 W DTV < 22 K @ 500 W DTV |