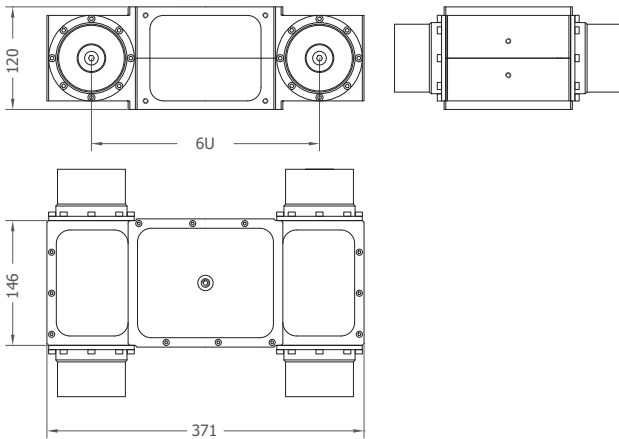




SPECIFICATIONS

Product Code	C-HC100C-xxxx-yy
Project Number	J-111-01
Frequency Range	470 – 862 MHz
Max Output Power	20 kW DTV (30 kW ATV)
Return Loss	> 30 dB (VSWR < 1.07)
Isolation	> 30 dB
Amplitude Balance	-3.01 ±0.3 dB
Phase Balance	-90° ±1°
Environmental Conditions	-5 to +55 °C (+23 to +131 °F), IP60
Body Finish	Metallic black coloring
Dimensions	371 x 146 x 120 mm
Connectors spacing	6U
Weight	9.5 kg (20.9 lb)
Connectors Interface	4 x 100mm Series
Connectors	D-PC100J EIA 1+5/8" FastLine Socket D-PC100K EIA 1+5/8" FastLine Flange D-PC100L EIA 1+5/8" FastLine Plug D-PC100M EIA 3+1/8" FastLine Socket (Default) D-PC100N EIA 3+1/8" FastLine Flange D-PC100O EIA 3+1/8" FastLine Plug D-PC100P EIA 4+1/2" FastLine Socket D-PC100Q EIA 4+1/2" FastLine Flange



COAXIAL COMPONENTS
UHF Hybrid Couplers

