

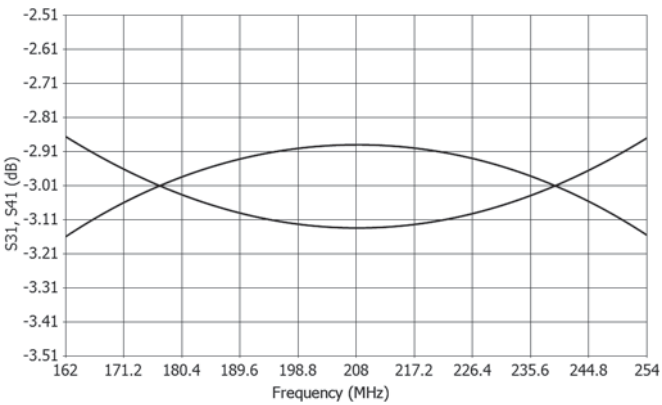
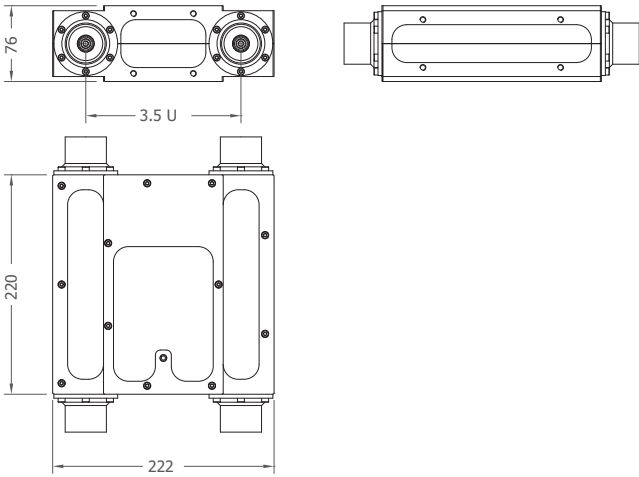
VHF B.III 5 kW Hybrid Coupler

HF60B



SPECIFICATIONS

Product Code	C-HF60B-xxxx-yy
Project Number	J-147-01
Frequency Range	162 – 254 MHz
Max Output Power	5 kW DTV (7.5 kW ATV)
Return Loss	> 30 dB (VSWR < 1.07)
Isolation	> 30 dB
Amplitude Balance	-3.01 ±0.3 dB
Phase Balance	-90° ±1°
Environmental Conditions	-5 to +55 °C (+23 to +131 °F), IP60
Body Finish	Aluminum, passivated
Dimensions	222 x 220 x 76 mm
Connectors spacing	3.5U
Weight	4.4 kg (9.7 lb)
Connectors Interface	4 x 64mm Series
Connectors	D-PC64E 7-16 Female D-PC64F 7-16 Male D-PC64G EIA 7/8" FastLine Socket D-PC64H EIA 7/8" FastLine Flange D-PC64I EIA 7/8" FastLine Plug D-PC64J EIA 1+5/8" FastLine Socket (Default) D-PC64K EIA 1+5/8" FastLine Flange D-PC64L EIA 1+5/8" FastLine Plug



COAXIAL COMPONENTS
 VHF B.III Hybrid Couplers