

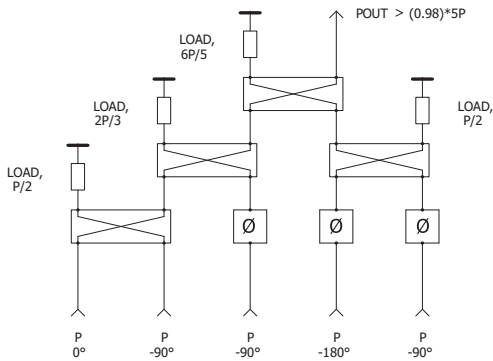
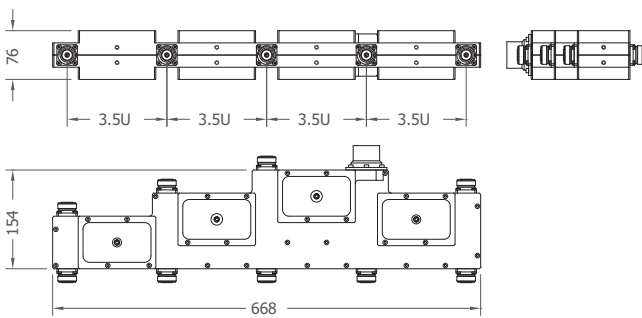
# UHF 5 kW 5-way Hybrid Multicoupler

# MC5Q60C



### SPECIFICATIONS

Product Code	C-MC5Q60C-yy
Project Number	J-130-01
Frequency Range	470 - 862 MHz
Max Input Power	1 kW DTV (1.5 kW ATV)
Max Output Power	5 kW DTV (7.5 kW ATV)
Efficiency	98%
Return Loss	> 30 dB (VSWR < 1.07)
Isolation	> 30 dB
Amplitude Balance	-6.99 ±0.5 dB
Phase Balance	-270°/-180°/-90°/0°/-90° ±10°
Environmental Conditions	-5 to +55 °C (+23 to +131 °F), IP60
Body Finish	Metallic black coloring
Dimensions	668 x 154 x 76 mm
Connectors spacing	3.5U
Weight	7.4 kg (16.3 lb)
Connectors Interface	5 x 32mm Series (Inputs) 4 x 32mm Series (Loads)  1 x 64mm Series (Output)
Connectors	D-PC32E 7-16 Female (Default) D-PC32F 7-16 Male D-PC32G EIA 7/8" FastLine Socket D-PC32H EIA 7/8" FastLine Flange D-PC32I EIA 7/8" FastLine Plug D-PC32Y EIA 7/8" Quick Plug  D-PC64J EIA 1+5/8" FastLine Socket (Default) D-PC64K EIA 1+5/8" FastLine Flange D-PC64L EIA 1+5/8" FastLine Plug



COAXIAL COMPONENTS  
UHF Splitters and Multicouplers