

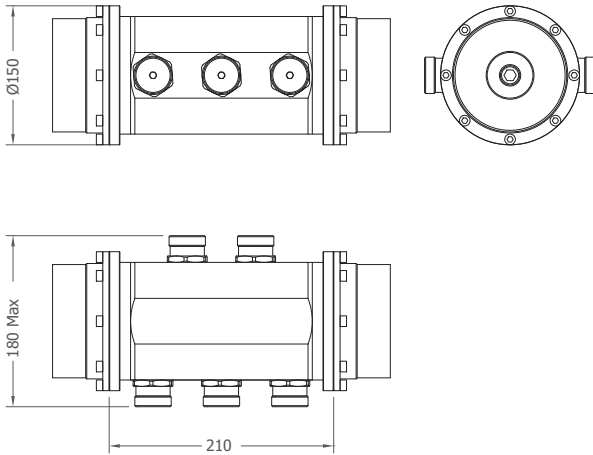


ML
Series

150
mm
Connectors

SPECIFICATIONS

Product Code	C-ML120C-xx-yy
Project Number	-
Frequency Range	470 – 862 MHz
Max Output Power	50 kW DTV (75 kW ATV)
Matching Capability	from 18 dB R.L. (VSWR < 1.29) to 26 dB R.L. (VSWR < 1.11)
No. of sections	5
Environmental Conditions	-5 to +55 °C (+23 to +131 °F), IP60
Body Finish	Aluminum, passivated
Dimensions	210 x 150 x 180max mm
Weight	5 kg (11 lb)
Connectors Interface	2 x 150mm Series
Connectors	D-PC150P EIA 4+1/2" FastLine Socket (Default) D-PC150Q EIA 4+1/2" FastLine Flange D-PC150R EIA 4+1/2" FastLine Plug D-PC150S RL 120 FastLine Socket D-PC150T RL 120 FastLine Plug D-PC150U EIA 6+1/8" FastLine Socket D-PC150V EIA 6+1/8" FastLine Flange D-PC150W EIA 6+1/8" FastLine Plug



COAXIAL COMPONENTS
UHF Matching Line

