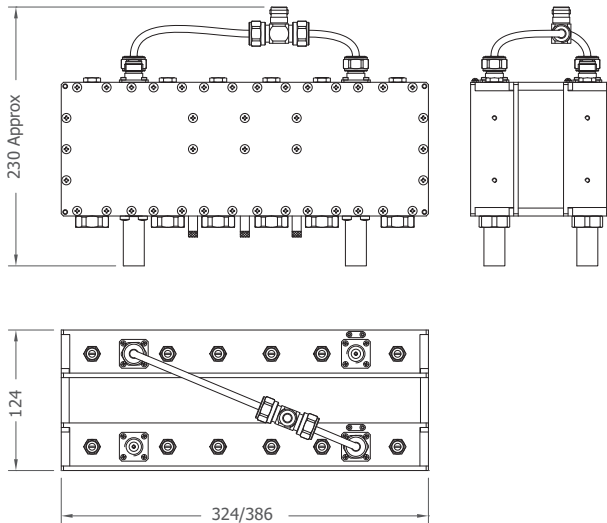


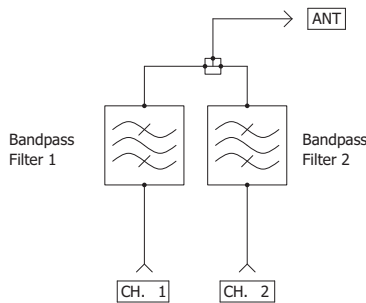
# UHF 100 W 6/7-Pole Starpoint Combiner

**SP6X30C**  
**SP7X30C**



TRANSMITTING COMBINERS  
UHF

SPECIFICATIONS	SP6X30C	SP7X30C
Product Code	B-SP6X30C-xxx-yy	B-SP7X30C-xxx-yy
DVB Mask	Non Critical Mask	Critical Mask
ATSC Mask	Simple Mask	Stringent M.
ISDB Mask	Non Critical Mask	Critical Mask
Frequency Range	470 – 862 MHz	
Bandwidth	6 to 8 MHz	
Ch. Distance	1 guard ch.	
Order	6-Pole EII. Resp.	7-Pole EII. Resp.
Max Input Power	100+100 W DTV (150+150 W ATV)	
Temperature Stability	< 2 kHz / K	
Max Operating Temp.	70 °C (158 °F)	
Environmental Conditions	-5 to +55 °C (+23 to +131 °F), IP60	
Body Finish	Metallic black coloring	
Dimensions	324 x 124 x 230 mm	386 x 124 x 230 mm
Weight	5.5 kg (12 lb)	6.5 kg (14.5 lb)
Part List	2 x CL6X30C	2 x CL7X30C
Links	SM250 Link	
Frame	-	
Connectors Interface	3 x 25mm Series	
Connectors	D-PC25C N Female (Default)	D-PC25E 7-16 Female
Options	O-FE.01 Encased Frame	



TUNING DATA	DVB 8 MHz N.C.M. (SP6X30C)	DVB 8 MHz C.M. (SP7X30C)	ATSC Simple M. (SP6X30C)
Insertion Loss	< 1.00 +0.10 dB @ C.F. < 2.70 +0.10 dB @ C.F. ±3.8 MHz	< 1.40 +0.10 dB @ C.F. < 4.80 +0.10 dB @ C.F. ±3.8 MHz	< 1.20 +0.10 dB @ C.F. < 2.20 +0.10 dB @ C.F. ±2.7 MHz
Selectivity	> 5 dB @ C.F. ±4.2 MHz > 16 dB @ C.F. ± 6 MHz > 41 dB @ C.F. ± 12 MHz	> 15 dB @ C.F. ±4.2 MHz > 26 dB @ C.F. ± 6 MHz > 51 dB @ C.F. ± 12 MHz	> 10 dB @ C.F. ±3.5 MHz > 24 dB @ C.F. ± 6 MHz > 36 dB @ C.F. ± 9 MHz
Return Loss	> 24 dB (VSWR < 1.13)	> 24 dB (VSWR < 1.13)	> 24 dB (VSWR < 1.13)
De-coupling	> 30 dB	> 30 dB	> 30 dB
Group Delay Variation	< 200 ns	< 320 ns	< 150 ns
Over-Temperature	< 23 K @ 100 W DTV	< 26 K @ 100 W DTV	< 26 K @ 100 W DTV