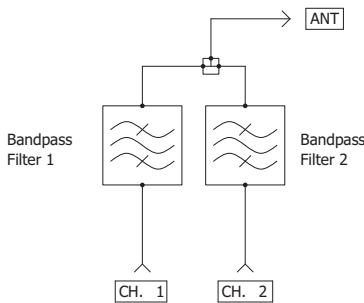
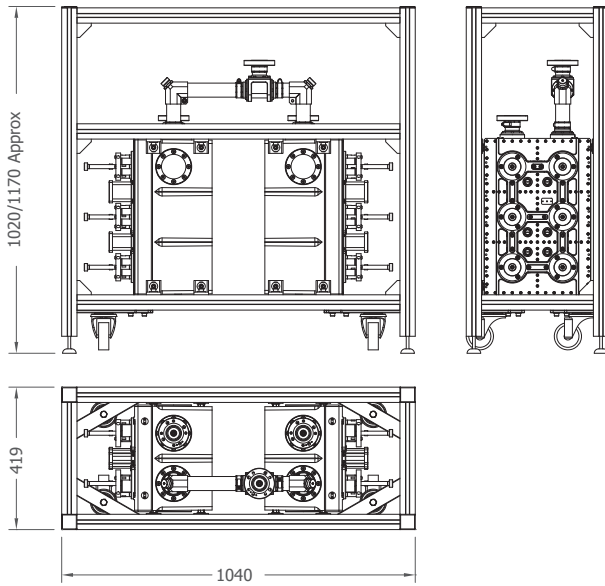
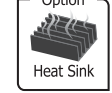


UHF 2.5 W 6/8-Pole Starpoint Combiner

SP6D140C SP8D140C



SPECIFICATIONS	SP6D140C	SP8D140C
Product Code	B-SP6D140C-xxx-yy	B-SP8D140C-xxx-yy
DVB Mask	Non Critical Mask	Critical Mask
ATSC Mask	FCC Mask	FCC Mask
ISDB Mask	Non Critical Mask	Critical Mask
Frequency Range	470 – 862 MHz	
Bandwidth	6 to 8 MHz	
Ch. Distance	1 guard ch.	
Order	6-Pole Ell. Resp.	8-Pole Ell. Resp.
Max Input Power with O-HL.02	2.5+2.5 kW DTV (3.75+3.75 kW ATV) 5+5 kW DTV (7.5+7.5 kW ATV)	
Liquid Flow (O-HL.02)	6 l/min (1.6 gal/min)	
Temperature Stability	< 2 kHz / K	
Max Operating Temp.	70 °C (158 °F)	
Environmental Conditions	-5 to +55 °C (+23 to +131 °F), IP60	
Body Finish	Metallic black coloring	
Dimensions	1040 x 419 x 1020 mm	1040 x 419 x 1170 mm
Weight	76 kg (167 lb)	98 kg (215 lb)
Part List	2 x TC6D140C	2 x TC8D140C
Links	EIA 1+5/8" R.L. Link	
Frame	Modular Frame	
Connectors Interface	3 x 64mm Series	
Connectors	D-PC64J EIA 1+5/8" FastLine Socket (Default) D-PC64K EIA 1+5/8" FastLine Flange D-PC64M EIA 3+1/8" FastLine Socket D-PC64N EIA 3+1/8" FastLine Flange	
Options	O-HF.03 Heat Sink add-on O-HL.02 Liquid Cooling add-on	

TUNING DATA	DVB 8 MHz N.C.M. (SP6D140C)	DVB 8 MHz C.M. (SP8D140C)	ATSC FCC M. (SP6D140C)
Insertion Loss	< 0.32 +0.10 dB @ C.F. < 1.00 +0.10 dB @ C.F. ±3.8 MHz	< 0.49 +0.10 dB @ C.F. < 1.59 +0.10 dB @ C.F. ±3.8 MHz	< 0.42 +0.10 dB @ C.F. < 0.72 +0.10 dB @ C.F. ±2.7 MHz
Selectivity	> 5 dB @ C.F. ±4.2 MHz > 16 dB @ C.F. ± 6 MHz > 41 dB @ C.F. ± 12 MHz	> 15 dB @ C.F. ±4.2 MHz > 26 dB @ C.F. ± 6 MHz > 51 dB @ C.F. ± 12 MHz	> 10 dB @ C.F. ±3.5 MHz > 29 dB @ C.F. ± 6 MHz > 63 dB @ C.F. ± 9 MHz
Return Loss	> 24 dB (VSWR < 1.13)	> 24 dB (VSWR < 1.13)	> 24 dB (VSWR < 1.13)
De-coupling	> 30 dB	> 30 dB	> 30 dB
Group Delay Variation	< 250 ns	< 450 ns	< 150 ns
Over-Temperature	< 38 K @ 2.5 kW DTV with O-HF.03 < 30 K @ 2.5 kW DTV with O-HL.02 < 16 K @ 5 kW DTV	< 43 K @ 2.5 kW DTV < 34 K @ 2.5 kW DTV < 21 K @ 5 kW DTV	< 43 K @ 2.5 kW DTV < 35 K @ 2.5 kW DTV < 21 K @ 5 kW DTV

TRANSMITTING COMBINERS
UHF