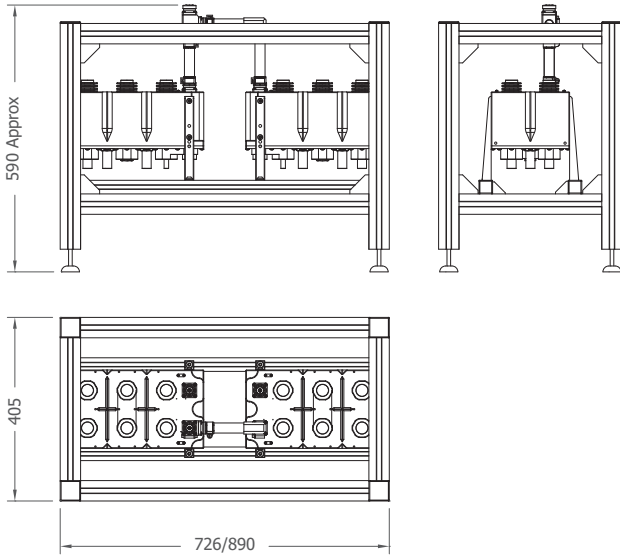


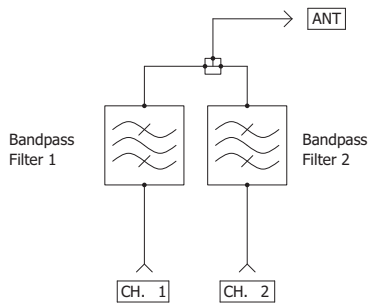
UHF 500 W 6/8-Pole Starpoint Combiner

SP6D80C SP8D80C



TRANSMITTING COMBINERS
UHF

SPECIFICATIONS	SP6D80C	SP8D80C
Product Code	B-SP6D80C-xxx-yy	B-SP8D80C-xxx-yy
DVB Mask	Non Critical Mask	Critical Mask
ATSC Mask	FCC Mask	FCC Mask
ISDB Mask	Non Critical Mask	Critical Mask
Frequency Range	470 – 862 MHz	
Bandwidth	6 to 8 MHz	
Ch. Distance	1 guard ch.	
Order	6-Pole EIL. Resp.	8-Pole EIL. Resp.
Max Input Power	500+500 W DTV (750+750 W ATV)	
Temperature Stability	< 2 kHz / K	
Max Operating Temp.	70 °C (158 °F)	
Environmental Conditions	-5 to +55 °C (+23 to +131 °F), IP60	
Body Finish	Metallic black coloring	
Dimensions	726 x 405 x 590 mm	890 x 405 x 590 mm
Weight	28 kg (61.5 lb)	34 kg (75 lb)
Part List	2 x FC6D80C	2 x UHF FC8D80C
Links	EIA 7/8" R.L. Link	
Frame	-	
Connectors Interface	3 x 32mm Series	
Connectors	D-PC32E 7-16 Female (Default) D-PC32G EIA 7/8" FastLine Socket D-PC32H EIA 7/8" FastLine Flange	
Options	O-HF.01 Heat Sink add-on O-FS.03 Semi-Modular Frame	



TUNING DATA	DVB 8 MHz N.C.M. (SP6D80C)	DVB 8 MHz .C.M. (SP8D80C)	ATSC FCC M. (SP6D80C)
Insertion Loss	< 0.46 +0.10 dB @ C.F. < 1.60 +0.10 dB @ C.F. ±3.8 MHz	< 0.71 +0.10 dB @ C.F. < 2.59 +0.10 dB @ C.F. ±3.8 MHz	< 0.72 +0.10 dB @ C.F. < 1.22 +0.10 dB @ C.F. ±2.7 MHz
Selectivity	> 5 dB @ C.F. ±4.2 MHz > 16 dB @ C.F. ± 6 MHz > 41 dB @ C.F. ± 12 MHz	> 15 dB @ C.F. ±4.2 MHz > 26 dB @ C.F. ± 6 MHz > 51 dB @ C.F. ± 12 MHz	> 10 dB @ C.F. ±3.5 MHz > 29 dB @ C.F. ± 6 MHz > 63 dB @ C.F. ± 9 MHz
Return Loss	> 24 dB (VSWR < 1.13)	> 24 dB (VSWR < 1.13)	> 24 dB (VSWR < 1.13)
De-coupling	> 30 dB	> 30 dB	> 30 dB
Group Delay Variation	< 250 ns	< 450 ns	< 150 ns
Over-Temperature with O-HF.01	< 24 K @ 500 W DTV < 19 K @ 500 W DTV	< 27 K @ 500 W DTV < 22 K @ 500 W DTV	< 27 K @ 500 W DTV < 22 K @ 500 W DTV