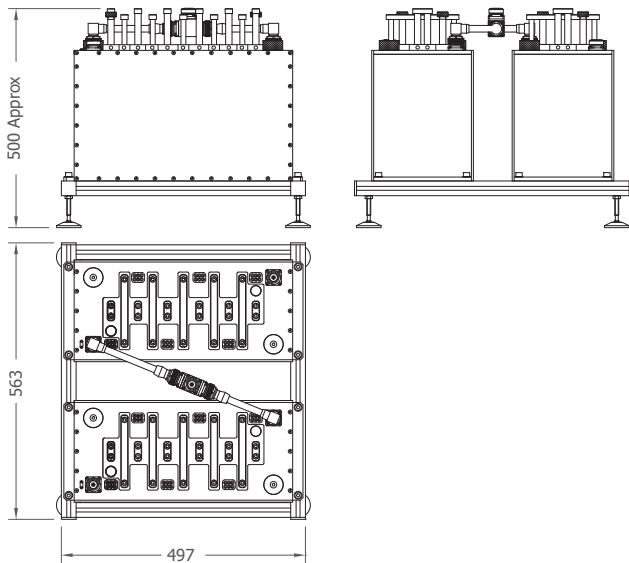
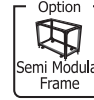


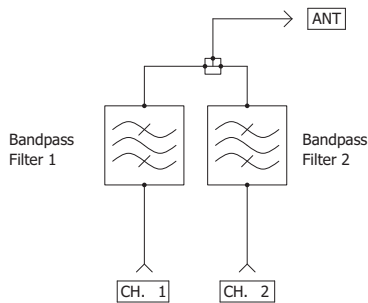
VHF B.I-II 1 kW 6-Pole Starpoint Combiner

SP6E200A



SPECIFICATIONS

Product Code	B-SP6E200A-xxx-yy
DVB Mask	Non Critical Mask
ATSC Mask	Stringent Mask
Frequency Range	41 – 100 MHz
Bandwidth	6 to 8 MHz
Ch. Distance	1 guard ch.
Order	6-Pole Elliptical Response
Max Input Power	1+1 kW DTV (1.5+1.5 kW ATV)
Temperature Stability	< 4 kHz / K
Max Operating Temp.	70 °C (158 °F)
Environmental Conditions	-5 to +55 °C (+23 to +131 °F), IP60
Body Finish	Aluminum, passivated
Dimensions	497 x 563 x 500 mm
Weight	52 kg (114.5 lb)
Part List	2 x HR6E200A
Links	EIA 7/8" R.L. Link
Frame	-
Connectors Interface	3 x 32mm Series
Connectors	D-PC32E 7-16 Female (Default) D-PC32G EIA 7/8" FastLine Socket D-PC32H EIA 7/8" FastLine Flange D-PC32J EIA 1+5/8" FastLine Socket D-PC32K EIA 1+5/8" FastLine Flange
Options	O-FE.03 Semi-Modular Frame



TRANSMITTING COMBINERS
VHF B.I-II

TUNING DATA

	DVB 7 MHz N.C.M.	ATSC Stringent M.
Insertion Loss	< 0.44 +0.10 dB @ C.F. < 1.25 +0.10 dB @ C.F. ±3.325 MHz	< 0.52 +0.10 dB @ C.F. < 0.90 +0.10 dB @ C.F. ±2.7 MHz
Selectivity	> 2 dB @ C.F. ±3.675 MHz > 16 dB @ C.F. ± 5.25 MHz > 36 dB @ C.F. ± 10.5 MHz	> 2 dB @ C.F. ±3.5 MHz > 20 dB @ C.F. ± 6 MHz > 40 dB @ C.F. ± 9 MHz
Return Loss	> 24 dB (VSWR < 1.13)	> 24 dB (VSWR < 1.13)
De-coupling	> 30 dB	> 30 dB
Group Delay Variation	< 200 ns	< 150 ns
Over-Temperature	< 17 K @ 1 kW DTV	< 21 K @ 1 kW DTV