

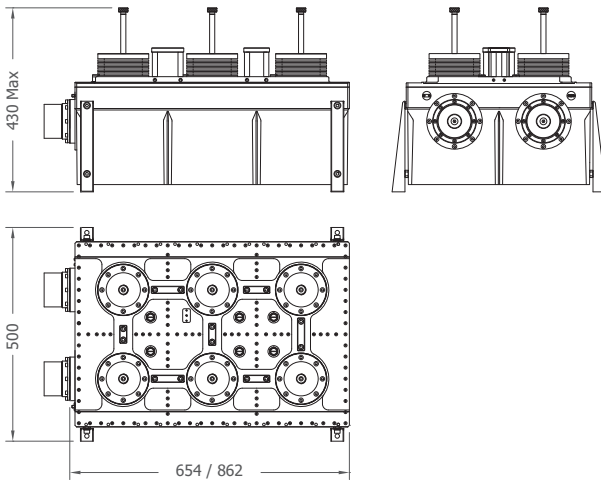
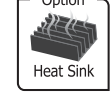
UHF 5-10 kW 6/8-Pole Bandpass Filter

TC6D200C TC8D200C

BANDPASS FILTERS
UHF

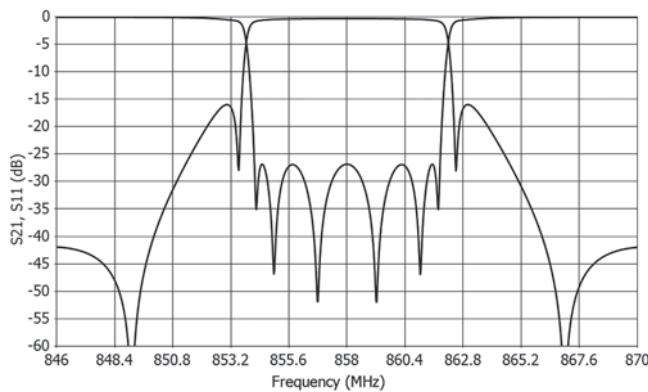


ISDB



SPECIFICATIONS

	TC6D200C	TC8D200C
Product Code	A-TC6D200C-xx-yy	A-TC8D200C-xx-yy
Project Number	J-072-02	J-118-01
DVB Mask	Non Critical Mask	Critical Mask
ATSC Mask	FCC Mask	FCC Mask
ISDB Mask	Non Critical Mask	Critical Mask
Frequency Range	470 – 862 MHz	
Bandwidth	6 to 8 MHz	
Order	6-Pole EII. Resp.	8-Pole EII. Resp.
Max Input Power with O-HL.05	5 kW DTV (7.5 kW ATV) 10 kW DTV (15 kW ATV)	
Liquid Flow (O-HL.05)	10 l/min (2.6 gal/min)	
Temperature Stability	< 2 kHz / K	
Max Operating Temp.	70 °C (158 °F)	
Environmental Conditions	-5 to +55 °C (+23 to +131 °F), IP60	
Body Finish	Metallic black coloring	
Dimensions	654 x 500 x 430 mm	862 x 500 x 430 mm
Weight	58 kg (127.6 lb)	77.5 kg (170.5 lb)
Output Monitor Probe	SMA Female	
Connectors Interface	2 x 100mm Series	
Connectors	D-PC100M EIA 3+1/8" FastLine Socket (Default) D-PC100N EIA 3+1/8" FastLine Flange D-PC100P EIA 4+1/2" FastLine Socket D-PC100Q EIA 4+1/2" FastLine Flange	
Options	O-MR.01 SMB Output Monitor Probe O-MR.02 Output Monitor Probe on the left O-HF.04 Heat Sink add-on O-HL.05 Liquid Cooling add-on O-HZ.03 70°C (158°F) N.C. Thermo-switch	



TUNING DATA

	DVB 8 MHz N.C.M. (TC6D200C)	DVB 8 MHz C.M. (TC8D200C)	ATSC FCC M. (TC6D200C)
Insertion Loss	< 0.25 dB @ C.F. < 0.70 dB @ C.F. ±3.8 MHz	< 0.38 dB @ C.F. < 1.14 dB @ C.F. ±3.8 MHz	< 0.30 dB @ C.F. < 0.50 dB @ C.F. ±2.7 MHz
Selectivity	> 5 dB @ C.F. ±4.2 MHz > 16 dB @ C.F. ± 6 MHz > 41 dB @ C.F. ± 12 MHz	> 15 dB @ C.F. ±4.2 MHz > 26 dB @ C.F. ± 6 MHz > 51 dB @ C.F. ± 12 MHz	> 10 dB @ C.F. ±3.5 MHz > 29 dB @ C.F. ± 6 MHz > 63 dB @ C.F. ± 9 MHz
Harmonic Attenuation with LP77C	> 50 dB up to 3.0 GHz	> 50 dB up to 3.0 GHz	> 50 dB up to 3.0 GHz
Return Loss	> 26 dB (VSWR < 1.11)	> 26 dB (VSWR < 1.11)	> 26 dB (VSWR < 1.11)
Group Delay Variation	< 250 ns	< 450 ns	< 150 ns
Over-Temperature with O-HF.04	< 34 K @ 5 kW DTV < 27 K @ 5 kW DTV < 20 K @ 10 kW DTV	< 38 K @ 5 kW DTV < 30 K @ 5 kW DTV < 22 K @ 10 kW DTV	< 39 K @ 5 kW DTV < 31 K @ 5 kW DTV < 23 K @ 10 kW DTV