

# UHF 50 kW Hybrid Coupler

# TH150C



**TH**  
Series

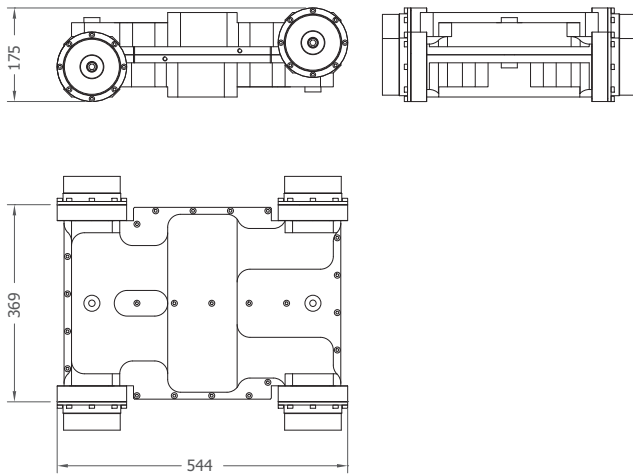
-3 dB  
MultiStep™

**130**  
mm  
Connectors

Option  
**150**  
mm  
Connectors

### SPECIFICATIONS

Product Code	C-TH150C-xxxx-yy
Project Number	J-128-01
Frequency Range	470 – 862 MHz
Max Output Power	50 kW DTV (75 kW ATV)
Return Loss	> 30 dB (VSWR < 1.07)
Isolation	> 30 dB
Amplitude Balance	-3.01 ±0.05 dB
Phase Balance	-90° ±1°
Environmental Conditions	-5 to +55 °C (+23 to +131 °F), IP60
Body Finish	Metallic black coloring
Dimensions	544 x 369 x 175 mm
Weight	28 kg (61.6 lb)
Connectors Interface	4 x 130mm/150mm Series
Connectors	D-PC130M EIA 3+1/8" FastLine Socket D-PC130N EIA 3+1/8" FastLine Flange D-PC130O EIA 3+1/8" FastLine Plug D-PC130P EIA 4+1/2" FastLine Socket (Default) D-PC130Q EIA 4+1/2" FastLine Flange D-PC130R EIA 4+1/2" FastLine Plug  D-PC150S RL 120 FastLine Socket D-PC150T RL 120 FastLine Plug D-PC150U EIA 6+1/8" FastLine Socket D-PC150V EIA 6+1/8" FastLine Flange



COAXIAL COMPONENTS  
UHF Hybrid Couplers

