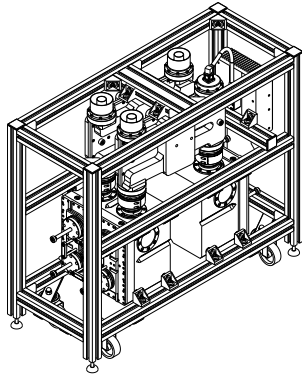


UHF 4-Pole 140 mm Balanced Combiner

DF4E140C



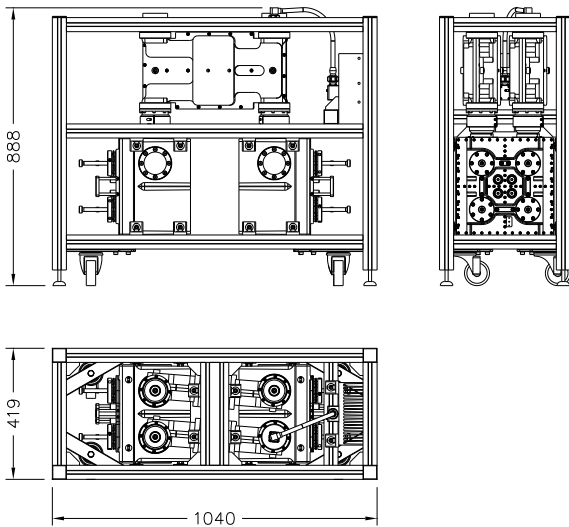
FEATURES

- 140 mm Cavity Size
- 4-Pole
- 45 mm Modular Frame System
- Temperature Stabilized
- DC Short
- Unified Connector Interface



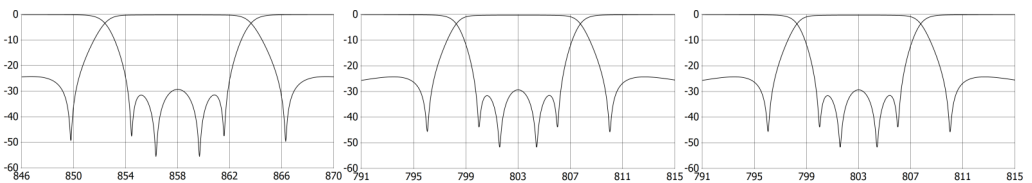
OPTIONS

- Heat Sinks
- Forced Air Cooling
- Liquid Cooling



SPECIFICATIONS

Code / Revision	B-DF4E140C / A
Order / Cavity Size	4-Pole / 140 mm
Frequency Range / Bandwidth	470-862 MHz / 6-8 MHz
Temperature Stability	< 2 kHz/K
Max Operating Temperature	65°C (149°F)
Environmental Conditions	-5 to +55°C (+23 to +131°F)
	IP60, EN 3.1
Dimensions / Weight ⁽¹⁾	1040x419x888 mm / 100 kg (220 lb.)
Links	3+1/8" Link
Frame	45 mm Modular Frame
Unified Connector Interface	3 x 100 mm Series
Connectors ⁽²⁾	D-PC100M 3+1/8" FastLine Socket (Default)
	D-PC100N 3+1/8" EIA FastLine Flange
	D-PC100P 4+1/2" FastLine Socket
	D-PC100Q 4+1/2" EIA FastLine Flange
Options ⁽²⁾	O-HS.03 Heat Sinks
	O-FC.01 Fan Cooling
	O-LC.01 Liquid Cooling
	O-HZ.03 70°C (158°F) N.C. Thermoswitch
Liquid Cooling Interface ⁽²⁾	3/8" NPT Male
Coolant / Liquid Flow	Glycol and Water 6 l/min (1.6 gal/min)



TUNING DATA ⁽²⁾

	DVB-T/T2	ATSC	ISDB-T
Tuning Code / Bandwidth	T-4E.01 / 8 MHz	T-4E.08 / 6 MHz	T-4E.09 / 6 MHz
Max RMS Output Power	21.0 kW	21.0 kW	21.0 kW
Max RMS Input Power ⁽³⁾			
Default	7.5 kW	6.0 kW	6.0 kW
with Heat Sinks	9.5 kW	7.5 kW	7.5 kW
with Forced Air Cooling	19.0 kW	15.0 kW	15.0 kW
with Liquid Cooling	25.0 kW	20.0 kW	20.0 kW
Insertion Loss	470 MHz 862 MHz C.F. < 0.17 dB < 0.24 dB ±3.8 MHz < 0.23 dB < 0.33 dB ±3.9 MHz < 0.25 dB < 0.36 dB (+ 0.05 dB · n)	470 MHz 806 MHz C.F. < 0.19 dB < 0.27 dB ±2.7 MHz < 0.25 dB < 0.35 dB (+ 0.05 dB · n)	470 MHz 806 MHz C.F. < 0.19 dB < 0.28 dB ±2.79 MHz < 0.25 dB < 0.35 dB (+ 0.05 dB · n)
Selectivity	C.F. ± 6.0 MHz > 3 dB C.F. ± 12.0 MHz > 20 dB	C.F. ± 6.0 MHz > 16 dB C.F. ± 9.0 MHz > 20 dB	C.F. ± 4.5 MHz > 1 dB C.F. ± 12.0 MHz > 20 dB
Return Loss / VSWR	> 26 dB / < 1.1	> 26 dB / < 1.1	> 26 dB / < 1.1
Isolation	> 30 dB	> 30 dB	> 30 dB
Group Delay Variation	< 50 ns	< 40 ns	< 40 ns

⁽¹⁾ Default configuration ⁽²⁾ Other Connectors/Options/Tunings available ⁽³⁾ Altitude < 1500 m (4,900 ft.), free air, standard environmental conditions, non-adjacent channels