

## UHF 8-Pole 60 mm Balanced Combiner

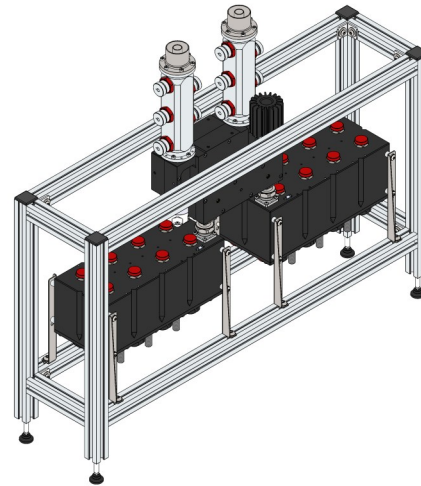
DM8D60C

## FEATURES

- *DualCross*: Double Cross Coupling
- Adjacent-Channel Combination
- Full-Band Tunability
- Temperature Stabilization
- DC-Short
- Modular Connector System
- Modular Frame System
- 10-Year Warranty

## OPTIONS

- Heat Sinks


**DVB T2**  
 TERRESTRIAL

**ATSC**  
 ADVANCED TELEVISION  
 SYSTEMS COMMITTEE

**ISDB-T**

## SPECIFICATIONS

Code / Revision	B-DM8D60C/n / A <i>n</i> : Number of Filtered Inputs		
No. of Poles / Cavity Size	8-Pole <i>DualCross</i> / 60 mm		
Frequency Range / Bandwidth	470-862 MHz / 6-8 MHz		
Temperature Stability	< 2 kHz/K		
Max Operating Temperature (Body)	65°C (149°F)		
Environmental Conditions	-5 to +55°C (+23 to +131°F), IP60		
Dimensions / Weight <sup>(1)</sup>	n=1: 840x207x681 mm / 26 kg n≥2: 840x(207·n)x681 mm / 26·n kg		
Links	1+5/8" Rigid Line		
Connectors (NB Inputs) <sup>(2)</sup>	1x 32 mm D-PC32C N Female D-PC32E 7-16 Female (Default) D-PC32G 7/8" FastLine Socket D-PC32H 7/8" FastLine Flange D-PC32J 1+5/8" FastLine Socket D-PC32K 1+5/8" FastLine Flange		
Connectors (WB Input; Output) <sup>(2)</sup>	2x 64 mm D-PC64J 1+5/8" FastLine Socket (Default) D-PC64K 1+5/8" FastLine Flange D-PC64M 3+1/8" FastLine Socket D-PC64N 3+1/8" FastLine Flange		
Options <sup>(2)</sup>	O-HFC.02 Heat Sinks		
<b>TUNING</b>	<b>DVB-T2 / DVB T (8 MHz)</b>	<b>ATSC 3.0 / ATSC 1.0 (6 MHz)</b>	<b>ISDB-T (6 MHz)</b>
Mask	Critical	Increased Attenuation	Critical
Tuning Code	T-8D.06 / T-8D.01	T-8D.05	T-8D.04
Max RMS NB Input Power <sup>(3,4)</sup>	(700 MHz) Default 590 W Heat Sinks 710 W	(700 MHz) Default 540 W Heat Sinks 650 W	(700 MHz) Default 480 W Heat Sinks 570 W
Max RMS Output Power <sup>(3)</sup>	7.0 kW		
NB Insertion Loss <sup>(4)</sup>	(470 MHz) (700 MHz) C.F. < 0.85 dB < 0.87 dB ±3.885 MHz < 5.10 dB < 5.23 dB ±3.805 MHz < 3.49 dB < 3.57 dB + 0.06·n dB	(470 MHz) (700 MHz) C.F. < 1.05 dB < 1.08 dB ±2.916 MHz < 2.21 dB < 2.26 dB ±2.69 MHz < 1.62 dB < 1.65 dB + 0.06·n dB	(470 MHz) (700 MHz) C.F. < 1.16 dB < 1.18 dB ±2.79 MHz < 2.89 dB < 2.96 dB + 0.06·n dB
WB Insertion Loss <sup>(4)</sup>	< 0.06·n dB		
Selectivity	C.F. ± 4.2 MHz > 14 dB / > 15 dB C.F. ± 6.0 MHz > 30 dB C.F. ± 12.0 MHz > 51 dB	C.F. ± 3.5 MHz > 15 dB C.F. ± 6.0 MHz > 45 dB C.F. ± 9.0 MHz > 63 dB	C.F. ± 3.15 MHz > 15 dB C.F. ± 4.5 MHz > 31 dB C.F. ± 9.0 MHz > 61 dB
Harmonic Attenuation <sup>(6)</sup>	> 50 dB up to 1.2 GHz		
NB Return Loss (VSWR) <sup>(4)</sup>	> 26 dB (1.11)		
WB Return Loss (VSWR) <sup>(4)</sup>	Single Ch. > 30 dB (1.07) All band > 26 dB (1.11)	Single Ch. > 30 dB (1.07) All band > 26 dB (1.11)	Single Ch. > 30 dB (1.07) All band > 26 dB (1.11)
Isolation Between Inputs <sup>(4)</sup>	> 30 dB		
Group Delay Variation <sup>(4)</sup>	< 700 ns		

<sup>(1)</sup> Approximate, default configuration <sup>(2)</sup> Other Other Connectors, Options, Tunings available <sup>(3)</sup> Altitude < 1500 m (4.900 ft.), Free air, Ambient temp. < 30 °C (86 °F) <sup>(4)</sup> Non-adjacent channels <sup>(6)</sup> Up to 3<sup>rd</sup> harmonic atten. with LP/LC Series Lowpass Filter