

UHF 6-Input Progressive Multicoupler

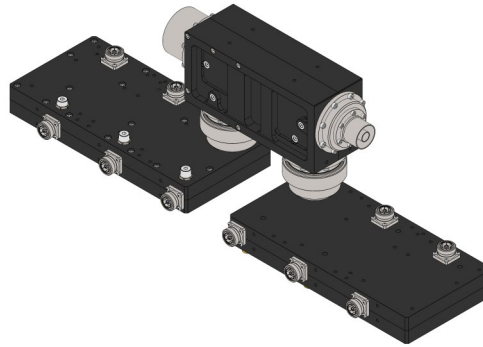
MH6P60C

FEATURES

- Progressive Power-Combination (first-level)
- Hybrid Coupler Combination (second-level)
- Rack-Unit Connector Spacing
- Modular Connector System
- Matched Splitters: PS and QS-Series (Optional)
- 10-Year Warranty

OPTIONS

- Liquid Cooled Integrated Loads (first-level)
- Output on the Left
- Loads on the Left



SPECIFICATIONS

Code / Revision	C-MH6P60C / B
Matched Splitter	C-PS6C
Frequency Range	470-800 MHz
Max RMS Input / Output Power ^(3,5)	2.0 kW / 12.0 kW (700 MHz)
No. of Inputs	6
Connector Spacing	3U
Return Loss (VSWR)	> 24 dB (1.14)
Isolation	> 30 dB
Amplitude Response	-7.10 ±0.7 dB
Max Operating Temperature	65 °C (149 °F)
Environmental Conditions	-5 to +55 °C (+23 to +131 °F), IP60
Dimensions / Weight ⁽¹⁾	652x186x66 mm / 12 kg
Connectors (Inputs) ⁽⁸⁾	6x 32 mm D-PC32C N Female D-PC32D N Male D-PC32E 7-16 Female (Default) D-PC32F 7-16 Male D-PC32G 7/8" FastLine Socket D-PC32H 7/8" FastLine Flange D-PC32I 7/8" FastLine Plug D-PC32I0 7/8" FastLine Quick Plug D-PC32J 1+5/8" FastLine Socket D-PC32K 1+5/8" FastLine Flange D-PC32L 1+5/8" FastLine Plug
Connectors (First Level Loads) ⁽²⁾	4x 32 mm D-PC32C N Female D-PC32E 7-16 Female (Default) D-PC32G 7/8" FastLine Socket D-PC32H 7/8" FastLine Flange D-PC32J 1+5/8" FastLine Socket D-PC32K 1+5/8" FastLine Flange
Connectors (Second Level Load) ⁽²⁾	1x 64 mm D-PC64J 1+5/8" FastLine Socket (Default) D-PC64K 1+5/8" FastLine Flange D-PC64M 3+1/8" FastLine Socket D-PC64N 3+1/8" FastLine Flange
Connectors (Output) ⁽⁸⁾	1x 100 mm D-PC100M 3+1/8" FastLine Socket (Default) D-PC100N 3+1/8" FastLine Flange D-PC100P 4+1/2" FastLine Socket D-PC100Q 4+1/2" FastLine Flange
Options	O-TML.04 Integrated Liquid Cooled Loads O-TMZ.01 Output on the Left O-TMZ.02 Loads on the Left
Liquid Cooling Interface ⁽⁵⁾	3/8" NPT Male
Coolant / Liquid Flow	Glycol and Water 10 l/min (2.6 gal/min)

⁽¹⁾ Approximate, default configuration ⁽³⁾ Altitude < 1500 m (4,900 ft.), Free air, Ambient temp. <30 °C (86 °F) ⁽⁵⁾ Glycol 30%, Liquid temp. 45 °C (113 °F), Liquid flow 6 l/min (1.6 gal/min)

⁽⁸⁾ Other Connections available