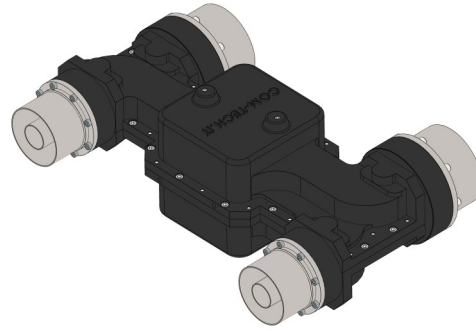


# UHF Hybrid Coupler

## NH100C

### FEATURES

- Crossed Configuration
- *MultiStep*: Ultra-Flat Frequency Response
- Rack-Unit Connector Spacing
- Modular Connector System
- 10-Year Warranty



### SPECIFICATIONS

Code / Revision	C-NH100C / A
Frequency Range	470-862 MHz
Max RMS Output Power <sup>(3)</sup>	34.0 kW (700 MHz)
Connector Spacing (Center-to-Center)	9U
Return Loss (VSWR)	> 30 dB (1.07)
Isolation	> 30 dB
Amplitude Response	-3.05 ±0.10 dB
Phase Response	(0°, -90°) ±1°
Max Operating Temperature (Body)	65 °C (149 °F)
Environmental Conditions	-5 to +55 °C (+23 to +131 °F), IP60
Dimensions / Weight <sup>(1)</sup>	499x191x130 mm / 8 kg
Connectors (Inputs) <sup>(8)</sup>	2x 100 mm D-PC100M3+1/8" FastLine Socket (Default) D-PC100N 3+1/8" FastLine Flange D-PC100O 3+1/8" FastLine Plug D-PC100P 4+1/2" FastLine Socket D-PC100Q 4+1/2" FastLine Flange
Connectors (Load) <sup>(8)</sup>	1x 100 mm D-PC100M3+1/8" FastLine Socket (Default) D-PC100N 3+1/8" FastLine Flange D-PC100P 4+1/2" FastLine Socket D-PC100Q 4+1/2" FastLine Flange
Connectors (Output) <sup>(8)</sup>	1x 100 mm D-PC100M3+1/8" FastLine Socket (Default) D-PC100N 3+1/8" FastLine Flange D-PC100P 4+1/2" FastLine Socket D-PC100Q 4+1/2" FastLine Flange

<sup>(1)</sup> Approximate, default configuration <sup>(3)</sup> Altitude < 1500 m (4,900 ft.), Free air, Ambient temp. <30 °C (86 °F) <sup>(5)</sup> Glycol 30%, Liquid temp. 45° C (113 ° F), Liquid flow 6 l/min (1.6 gal/min)

<sup>(8)</sup> Other Connections available